

## Power and Control Magnetics

### Current Sense Transformers

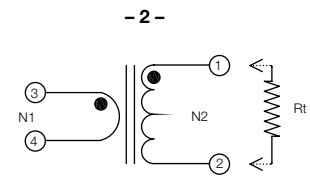
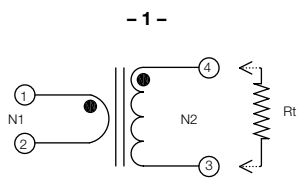
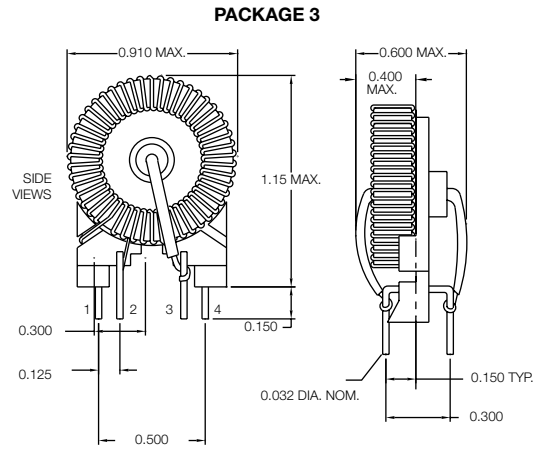
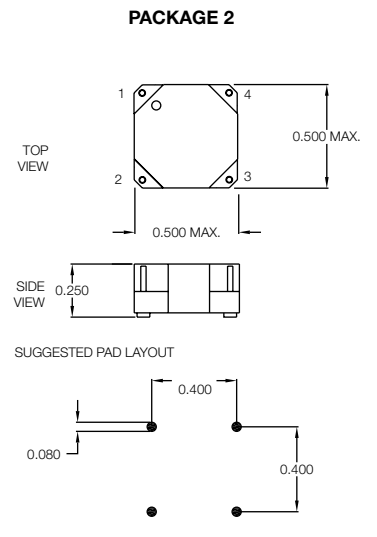
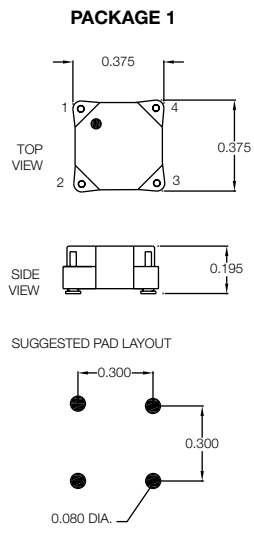
- Current sense for regulation of switch mode power supplies
- Surface mount (SMT) for compact size or through-hole for heavy current
- Isolation to 3000 VAC
- Wide variety of applications from multiple chip vendors
- 10 KHz to 500 KHz frequency of operation
- Use Current Transformer Formula below to determine the BH part number that meets your requirements



#### ELECTRICAL CHARACTERISTICS @ 25° C

BH PART NUMBER	TURNS RATIO	INDUCTANCE (mH-MIN.)	ET Volt-µSec RATING	DCR PRIMARY OHMS MAX	DCR SECONDARY OHMS MAX	PACKAGE STYLE	SCHEMATIC	MAX CURRENT RATING Arms
500-2603	1:50	1.40	55	0.006	0.75	1	1	6.0
500-2604	1:100	6.0	110	0.006	2.4	1	1	6.0
500-2605	1:200	22.0	220	0.006	7.65	1	1	6.0
500-2600	1:50	2.15	65	0.004	0.38	2	1	8.0
500-2601	1:100	8.75	135	0.004	1.2	2	1	8.0
500-2602	1:200	35.0	300	0.004	4.00	2	1	8.0
500-2456	1:200	87.0	1400	0.0015	4.0	3	2	10.0

Note: Part numbers beginning with "5" are not RoHS compliant. Contact BH if you have need for RoHS construction.



#### CURRENT TRANSFORMER FORMULA

$I_{\text{secondary}} = I_{\text{primary}} \div \text{turns ratio}$   
 $E \text{ (volts)} = R_t \times I_{\text{secondary}} \text{ (amps)}$   
 $T = 1/(2F)$  F = Frequency in Hz  
 $E \times T$  must be less than ET Volt  
 uSec Rating  
 R termination selected by designer