

Magnetics for Telecommunications & Data Network Circuits

Impedance Matching and Isolation Transformers



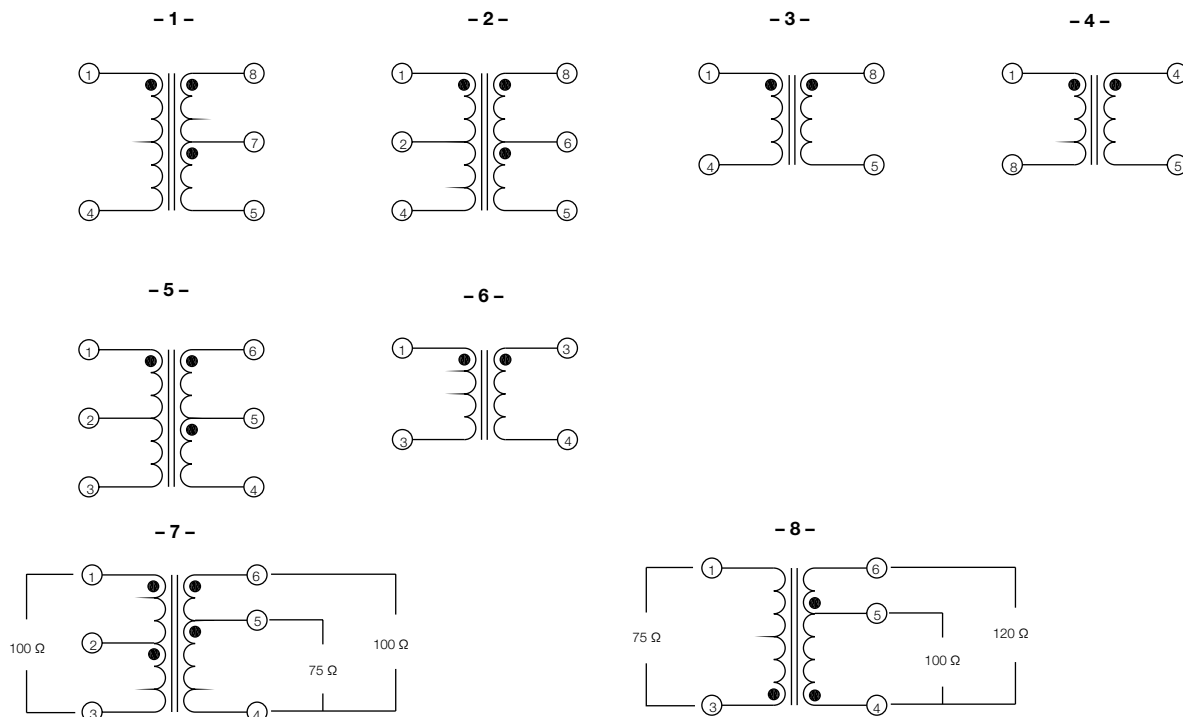
- Designed for use in line matching and isolation circuits
- Ideal for use as baluns or as isolation transformers
- Use in popular networks such as Ethernet or 10 Base T and 100 Base T
- Use in proprietary networks based on RS232, RS422 or RS485
- Products are available to support data rates from 9.6Kb/sec. to 250Mb/sec.

ELECTRICAL CHARACTERISTICS @ 25° C

BH PART NUMBER	ET CONSTANT (V SEC. MIN.)	TURNS RATIO	PRIMARY INDUCTANCE	ISOLATION VOLTAGE	SCHEMATIC	PACKAGE STYLE	DIM. "A" MAX.	DIM. "B" MAX.
500-1430	40	1:1:27	2.8mH	500 VDC	8	7	.37	.32
L00-1455	100	1:1	21mH	1500 VRMS	3	1	0.4	0.35
500-1461	1200	1:1	800mH	2200 VRMS	4	1	0.57	0.4
500-1463	000	1:1	140uH	1200 VAC	4	4	0.54	0.31
500-1465	380	1CT: 1CT	193mH	1500 VRMS	2	1	0.45	0.43
500-1438	3	1CT: 1CT	150 H	500 VDC	7	2	N/A	N/A
500-1542	900	1CT: 1CT	430MH	2900VDC	2	1	0.56	0.39
500-1544	90	1: 1CT	2.2mH	1000 VRMS	1	1	0.60	0.35
500-2279 *	1.5	1: 1 TAPPED	100 uH	2500 VAC	9	5	N/A	N/A
500-2387 *	14	1:1.22 TAPPED	1.0mH	1500 VAC	10	6	N/A	N/A

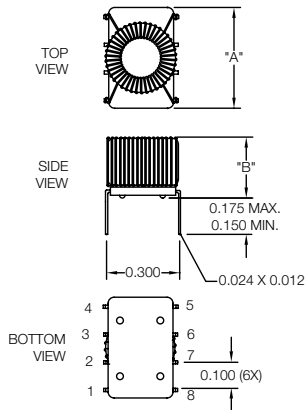
Note: Part numbers beginning with "L" are RoHS compliant.

* Specifications here have been updated, click on the part number to view detailed specification drawing.

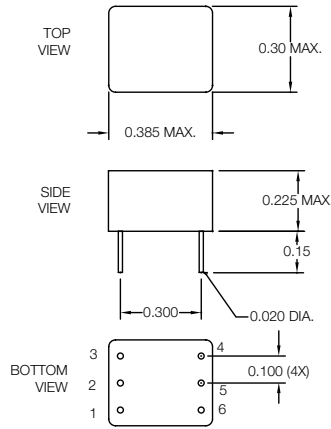


(continued)

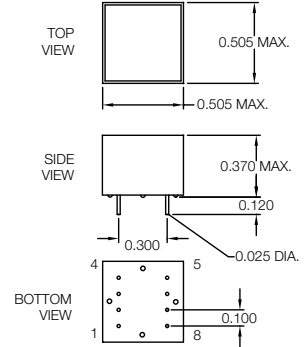
PACKAGE 1



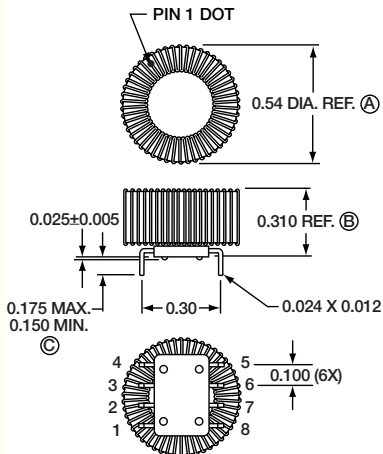
PACKAGE 2



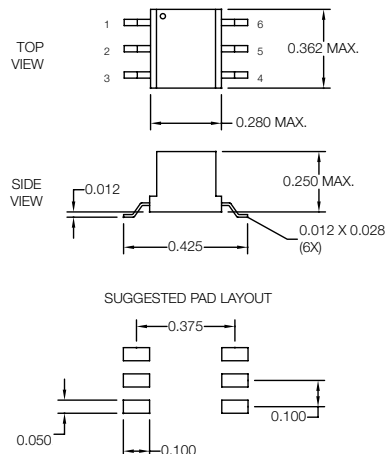
PACKAGE 3



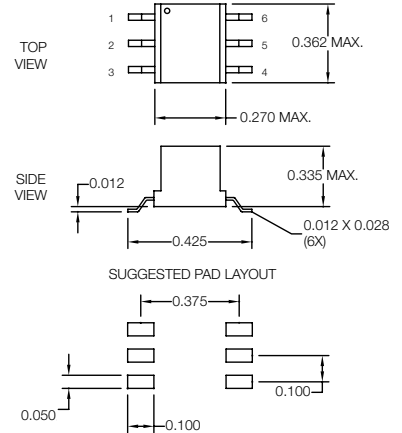
PACKAGE 4



PACKAGE 5



PACKAGE 6



PACKAGE 7

