

High Frequency Network Test Balun

Part Number 040-0093

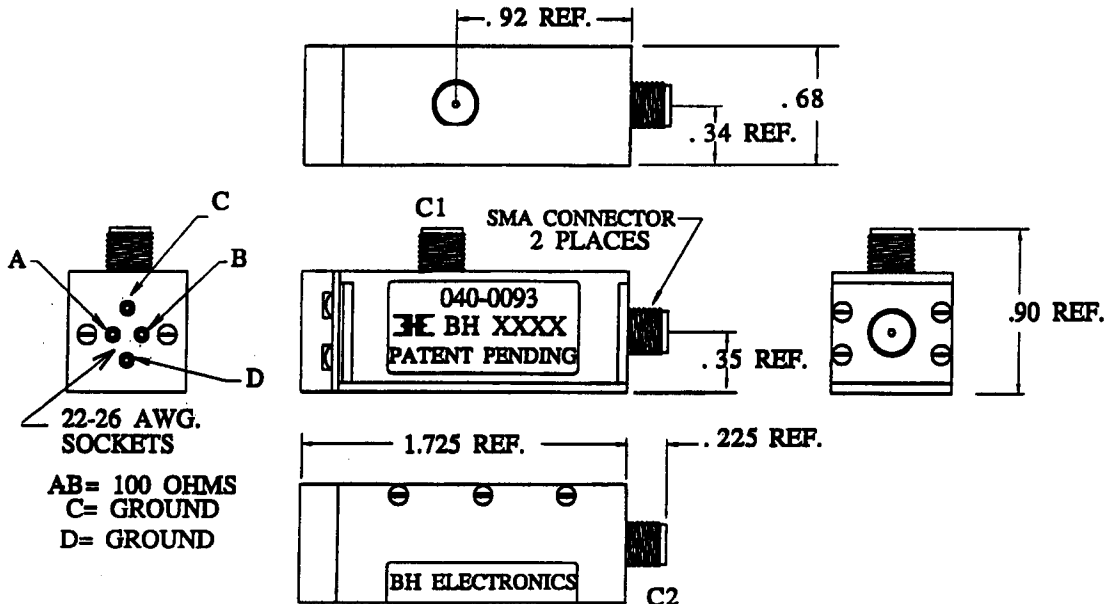
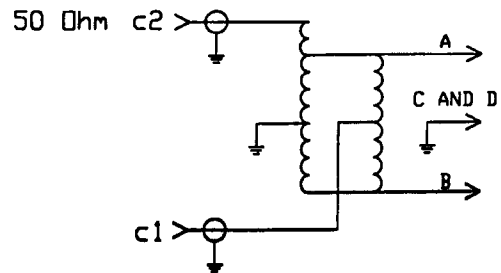
New Improved Design



- Bandwidth: 1 to 350 MHz
- Replaceable test sockets spaced 0.1" apart
- True 50Ω center tap
- Improved ground contact flexibility

Electrical Specifications:

PRI/SEC Impedance: 50 Ohms UNBAL : 100 Ohms BAL
 Insertion Loss: 1.2dB Max (1-350 MHz)
 Return Loss: (50:100) 16dB Min (1-3 MHz)
 (50:100) 20dB Min (3-350 MHz)
 (100:50) 16dB Min (1-3 MHz)
 (100:50) 20dB Min (3-350 MHz)
 Return Loss, Common Mode: 20dB Min (1-350 MHz)
 Longitudinal Balance: 50dB Min (100-350 MHz)
 60dB Min (1 MHz-100 MHz)



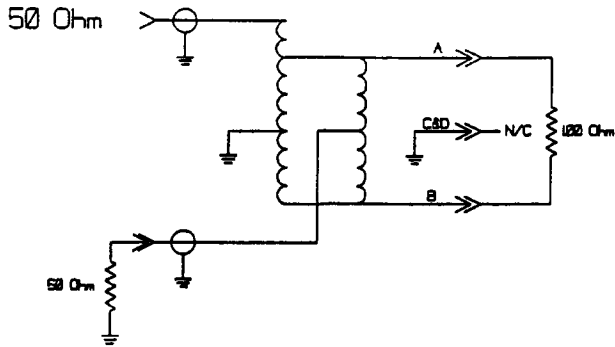
BH® BH Electronics

12219 Wood Lake Drive Burnsville, MN 55337
 Phone: 952-894-9590 Fax: 952-894-9380 www.bhelectronics.com

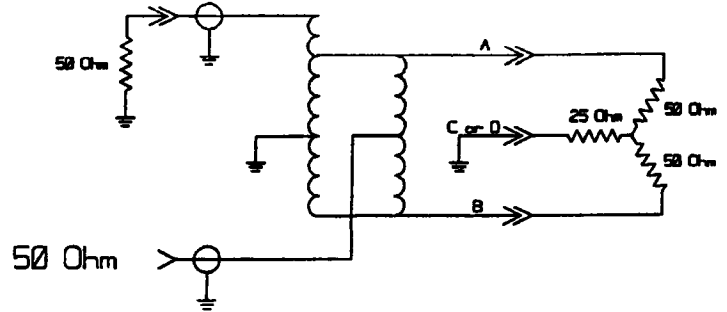
High Frequency Network Test Balun

Part Number 040-0093

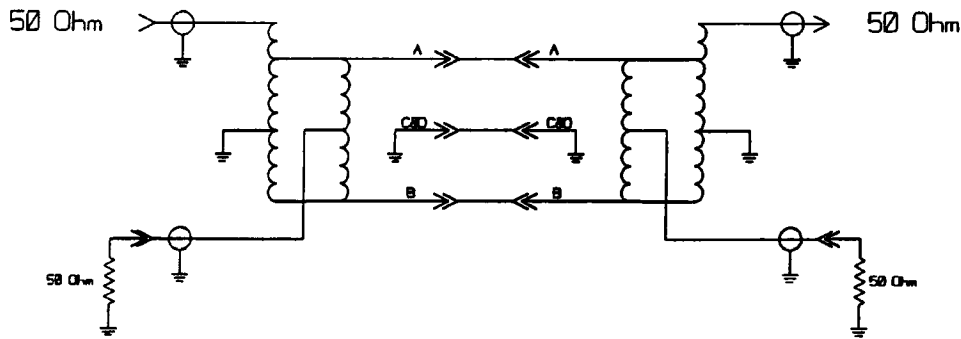
Return Loss (50:100)



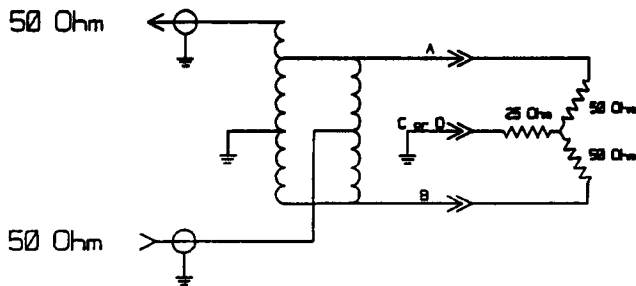
Return Loss, Common-mode



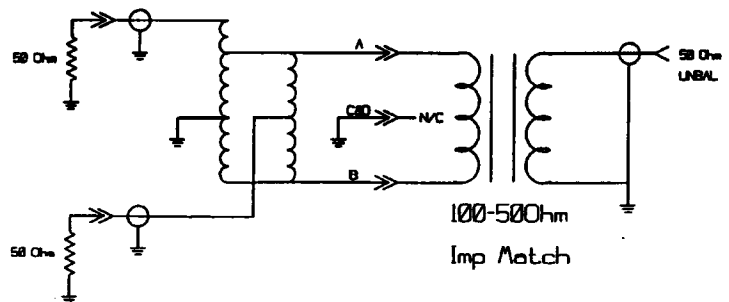
Insertion Loss



Longitudinal Balance



Return Loss (100:50)



BH® BH Electronics

12219 Wood Lake Drive Burnsville, MN 55337

Phone: 952-894-9590 Fax: 952-894-9380 www.bhelectronics.com