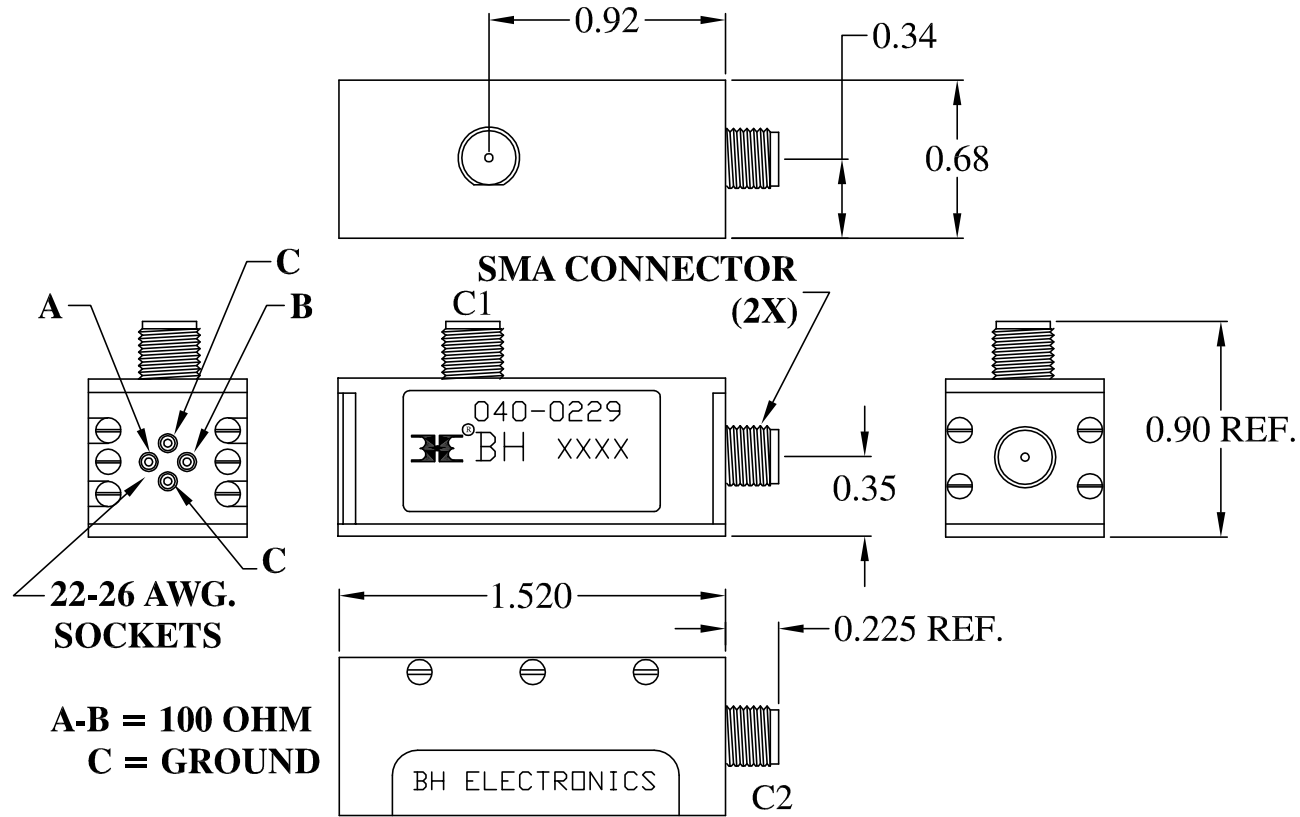


MECHANICAL



A	12-3-09	CUSTOMER PRINT (Q11311)	
ISSUE	DATE	REVISION	BY

DESIGN PER:  
**BH CATALOG**


CUSTOM      NON-PROPRIETARY

DRAWN:      K. LOFTUS

ENGR:      B. GASS

UNLESS OTHERWISE SPECIFIED:  
DIMENSIONS IN INCHES, TOLERANCES  
NON-CUMULATIVE  
.XX±.01 .XXX±.005

PAGE 1 OF 2



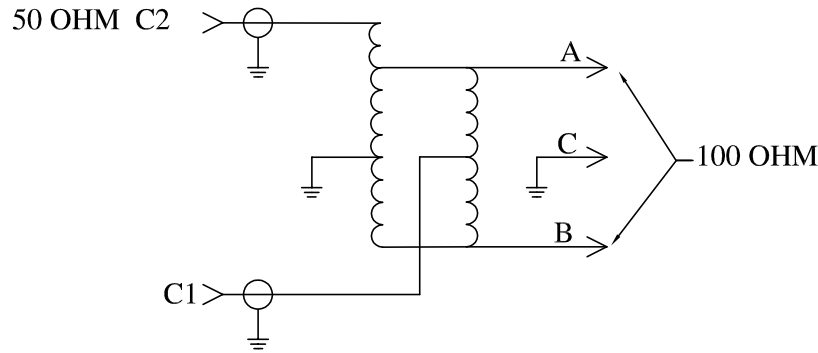
**BH ELECTRONICS, INC.**  
BURNSVILLE & MARSHALL, MN

© 1998 BH Electronics

TITLE:      **1 GHz TEST BALUN**

PART NO.      **040-0229**

SCHEMATIC



ELECTRICAL SPECIFICATIONS


INSERTION LOSS (PER UNIT): -2.0dB MAX. @ 10 MHz RAMPING TO -1.75dB MAX. @ 50 MHz  
 -1.75dB MAX. @ 50 MHz TO -1.75dB MAX. @ 550 MHz  
 -1.75dB MAX. @ 550 MHz RAMPING TO -2.25dB MAX. @ 1 GHz

RETURN LOSS (50:100): -7.5dB MIN. @ 10 MHz RAMPING TO -15.0dB MIN. @ 50 MHz  
 -15dB MIN. @ 50 MHz RAMPING TO -20.0dB MIN. @ 200 MHz  
 -20.0dB MIN. @ 200 MHz TO -20.0dB MIN. @ 450 MHz  
 -20.0dB MIN. @ 450 MHz RAMPING TO -15.0dB MIN. @ 650 MHz  
 -15.0dB MIN. @ 650 MHz TO -15.0dB MIN. @ 1 GHz

RETURN LOSS (100:50): -7.5dB MIN. @ 10 MHz RAMPING TO -15.0dB MIN. @ 50 MHz  
 -15.0dB MIN. @ 50 MHz RAMPING TO -20.0dB MIN. @ 200 MHz  
 -20.0dB MIN. @ 200 MHz TO -20.0dB MIN. @ 650 MHz  
 -20.0dB MIN. @ 650 MHz RAMPING TO -17.5dB MIN. @ 850 MHz  
 -17.5dB MIN. @ 850 MHz TO -17.5dB MIN. @ 1 GHz

RETURN LOSS (COMMON MODE): -27.5dB MIN. @ 10 MHz TO -27.5dB MIN. @ 200 MHz  
 -27.5dB MIN. @ 200 MHz RAMPING TO -7.0dB MIN. @ 1 GHz

LONGITUDINAL BALANCE: -60dB MIN. @ 10 MHz RAMPING TO -45dB MIN. @ 1 GHz

				DESIGN PER:	 BH ELECTRONICS, INC. BURNSVILLE & MARSHALL, MN © 1998 BH Electronics
				BH CATALOG <input type="checkbox"/> CUSTOM      NON-PROPRIETARY <input checked="" type="checkbox"/>	
				DRAWN: K. LOFTUS	TITLE: 1 GHz TEST BALUN
				ENGR: B. GASS	
				UNLESS OTHERWISE SPECIFIED: DIMENSIONS IN INCHES, TOLERANCES NON-CUMULATIVE .XX±.01 .XXX±.005	PART NO. 040-0229
A	12-3-09	CUSTOMER PRINT (Q11311)		PAGE 2 OF 2	
ISSUE	DATE	REVISION	BY		