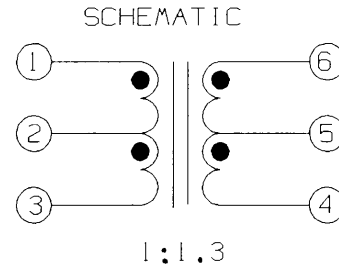
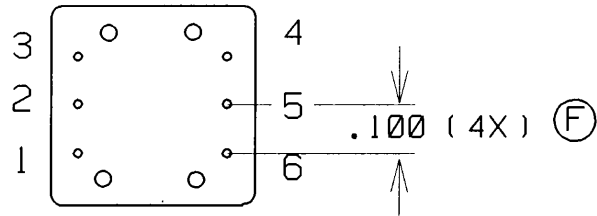
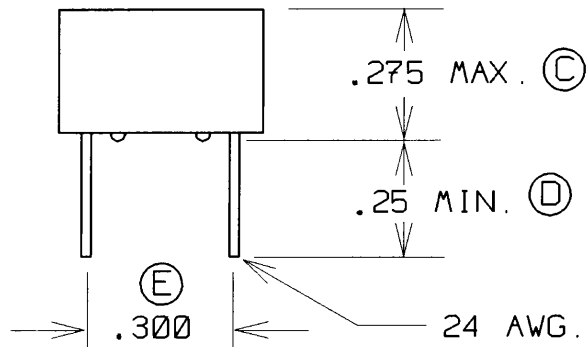
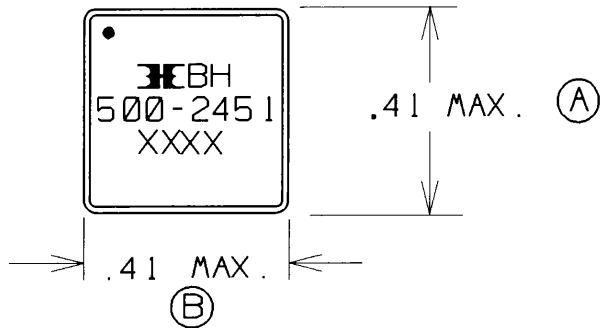


MECHANICAL



ELECTRICAL SPECIFICATIONS


URNS RATIO: 1:1.3

OPEN CIRCUIT INDUCTANCE: 400µH MIN 100 KHz 20mV  
(1-3)

DC RESISTANCE: (1-3) 0.6 OHMS NOM  
(4-6) 0.8 OHMS NOM

HIGH VOLTAGE TEST: 3750 VRMS

ET: 18.3 MIN (1-3)

			DESIGNED PER:	 <b>BH ELECTRONICS, INC.</b> BURNSVILLE & MARSHALL, MN © 1998 BH Electronics	
			BH CATALOG		
			DRAWN: K. LOFTUS ENGR. B. MARKS		
C	2-1-00	ADD REFERENCE TARGETS	UNLESS OTHERWISE SPECIFIED: DIMENSIONS IN INCHES. TOLERANCES NON-CUMULATIVE. XX ± .01 XXX ± .005	TITLE	
B	9-10-99	010327 NOW 500-2451		ISOLATION TRANSFORMER	
A	9-10-99	CUSTOMER PRINT		PART NO.	
ISSUE	DATE	REVISIONS	SCALE 1:0.39	SHEET 1 / 1	500-2451