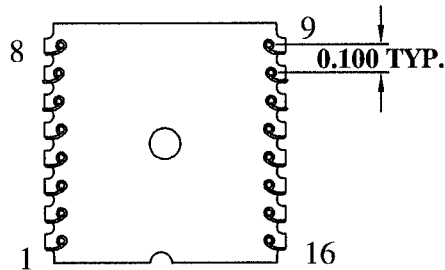
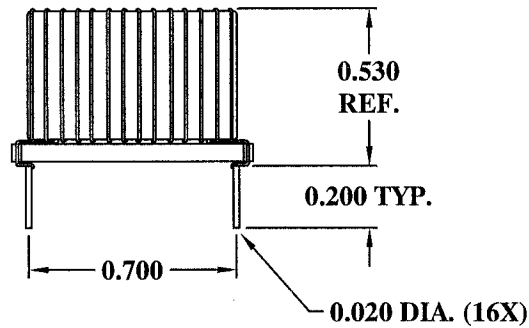
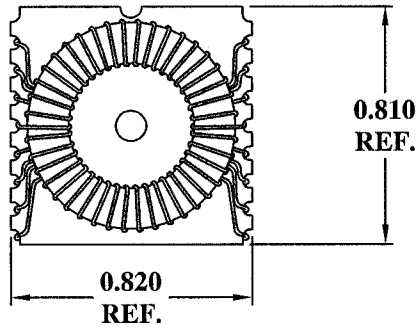
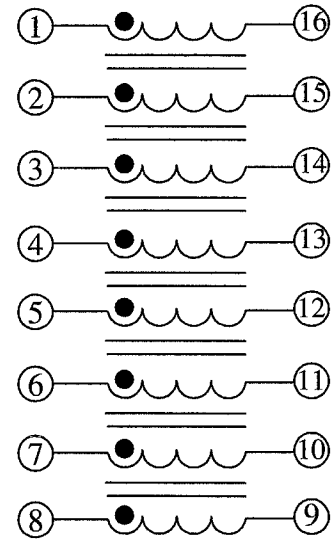


MECHANICAL



SCHEMATIC




ELECTRICAL SPECIFICATIONS

URNS RATIO: 1:1:1:1:1:1:1

OPEN CIRCUIT INDUCTANCE: 4.92mH MIN. (1-16) (2-15) (3-14)
(4-13) (5-12) (6-11) (7-10) (8-9)
10 KHz 50mV

DC RESISTANCE: 0.70 OHMS NOM. (1-16) (2-15) (3-14) (4-13) (5-12)
(6-11) (7-10) (8-9)

HIGH VOLTAGE TEST: 500 VAC (1-2, 3, 4, 5, 6, 7, 8)
(2-3, 4, 5, 6, 7, 8) (3-4, 5, 6, 7, 8) (4-5, 6, 7, 8)
(5-6, 7, 8) (6-7, 8) (7-8)

				DESIGN PER:	BH CATALOG		 BH ELECTRONICS, INC. BURNSVILLE & MARSHALL, MN © 1998 BH Electronics
				<input type="checkbox"/> CUSTOM	NON-PROPRIETARY <input checked="" type="checkbox"/>		
				DRAWN:	K. LOFTUS		
				ENGR:	B. GASS		
				UNLESS OTHERWISE SPECIFIED: DIMENSIONS IN INCHES, TOLERANCES NON-CUMULATIVE .XX±.01 .XXX±.005			
				PAGE 1 OF 1			
				TITLE: COMMON MODE CHOKE			
				PART NO. L01-1209			
A	5-4-07	CUSTOMER PRINT	B. G.				
ISSUE	DATE	REVISION	BY				