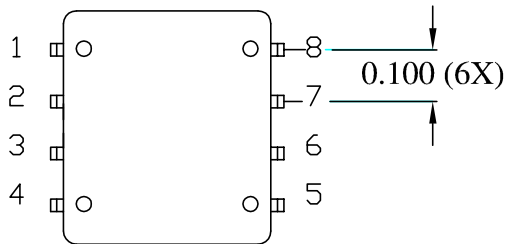
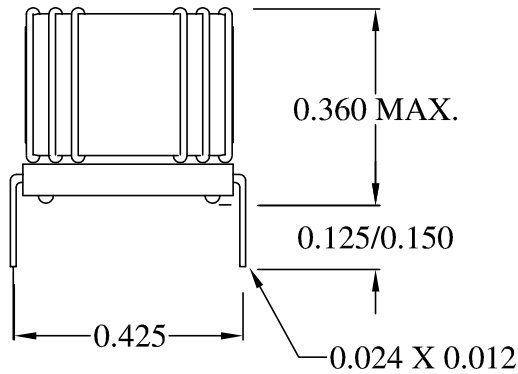
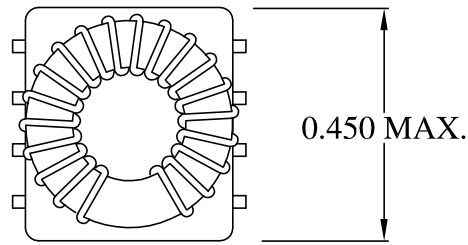
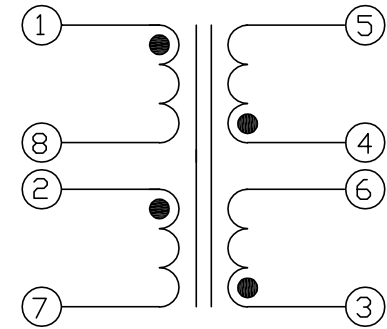


MECHANICAL



SCHEMATIC




ELECTRICAL SPECIFICATIONS

TURNS RATIO: 1:1:1:1

OPEN CIRCUIT INDUCTANCE: 7.5 - 15.0μH 120 KHz 50mV

DC RESISTANCE: 0.1 OHMS MAX. (ANY WINDING)

HIGH VOTLAGE TEST: 1000 VRMS

H	2-13-12	NOW BH CATALOG	<i>bm</i>	DESIGN PER:	 BH ELECTRONICS, INC. BURNSVILLE & MARSHALL, MN © 1998 BH Electronics
G	7-21-97	ECR #3309 CHG LOC 7.5-15μH	BM	<b>BH CATALOG</b>	
F	12-2-96	ECR #3038 ADD FIXTURES	BM	<input type="checkbox"/> CUSTOM <input checked="" type="checkbox"/> NON-PROPRIETARY	
E	3-2-95	UPDATE TO CADD	JDC	DRAWN: K. LOFTUS	
D	1-13-88	HI-POT 2000 NOW 1000 VRMS	JDC	ENGR: B. MARKS	
C	12-23-87	0.350 NOW 0.360 LOC 1=20 TO 12	BM	UNLESS OTHERWISE SPECIFIED: DIMENSIONS IN INCHES, TOLERANCES NON-CUMULATIVE .XX±.01 .XXX±.005	TITLE: <b>TRANSFORMER</b>
B	12-3-87	Q5766-R TO 500-1532	JVM		PART NO. <b>500-1532</b>
A	12-1-87	CUSTOMER PRINT	BM		
ISSUE	DATE	REVISION	BY	PAGE 1 OF 1	