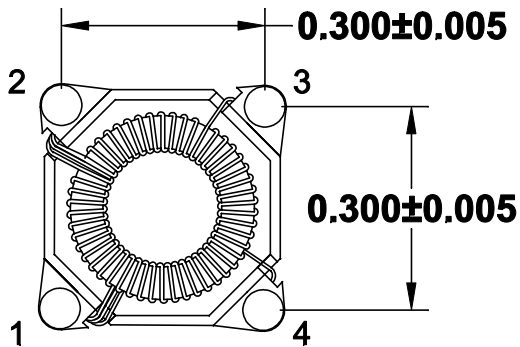
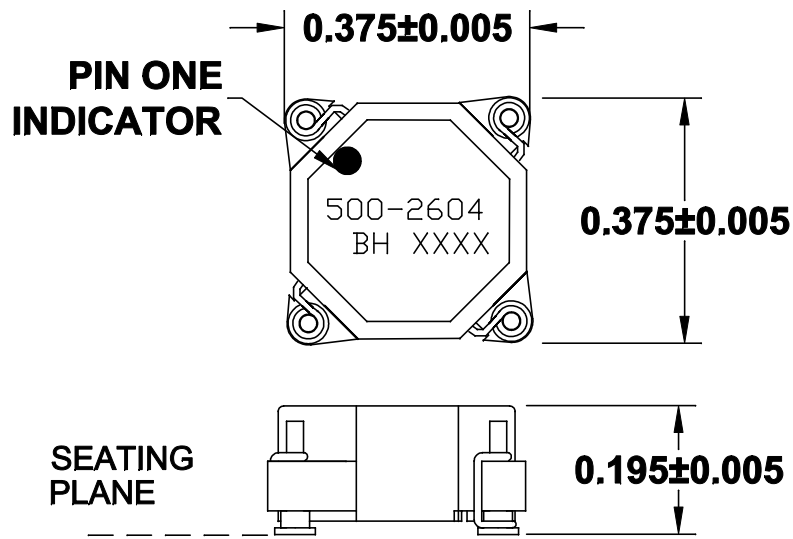
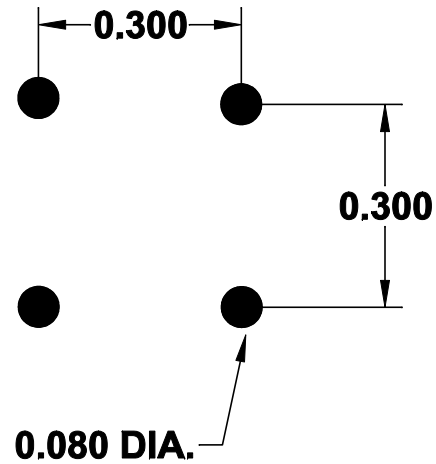


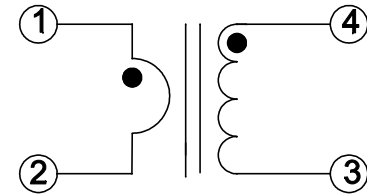
**MECHANICAL**



**RECOMMENDED PC BOARD LAYOUT**



**SCHEMATIC**



**ELECTRICAL SPECIFICATIONS**

URNS RATIO: 1:100

OPEN CIRCUIT INDUCTANCE: 5.0mH MIN. (3-4) 10 KHz 100mV

DC RESISTANCE: 0.006 OHMS MAX. (1-2)

2.00 OHMS±20% (3-4)

IR: 10 KMEGOHMS MIN. @ 100 VDC (1-4)

HIGH VOLTAGE TEST: 1500 VRMS 60 Hz

VOLT μS PROUDCT: 50VμS MIN.

MAX. PRIMARY CURRENT: 6.0 ADC

DESIGN PER:

**BH CATALOG**

CUSTOM

NON-PROPRIETARY

X

DRAWN: K. LOFTUS

ENGR: B. HAYS

UNLESS OTHERWISE SPECIFIED:  
DIMENSIONS IN INCHES, TOLERANCES  
NON-CUMULATIVE  
.XX±.01 .XXX±.005

PAGE 1 OF 2



**BH ELECTRONICS, INC.**  
BURNSVILLE & MARSHALL, MN

© 1998 BH Electronics

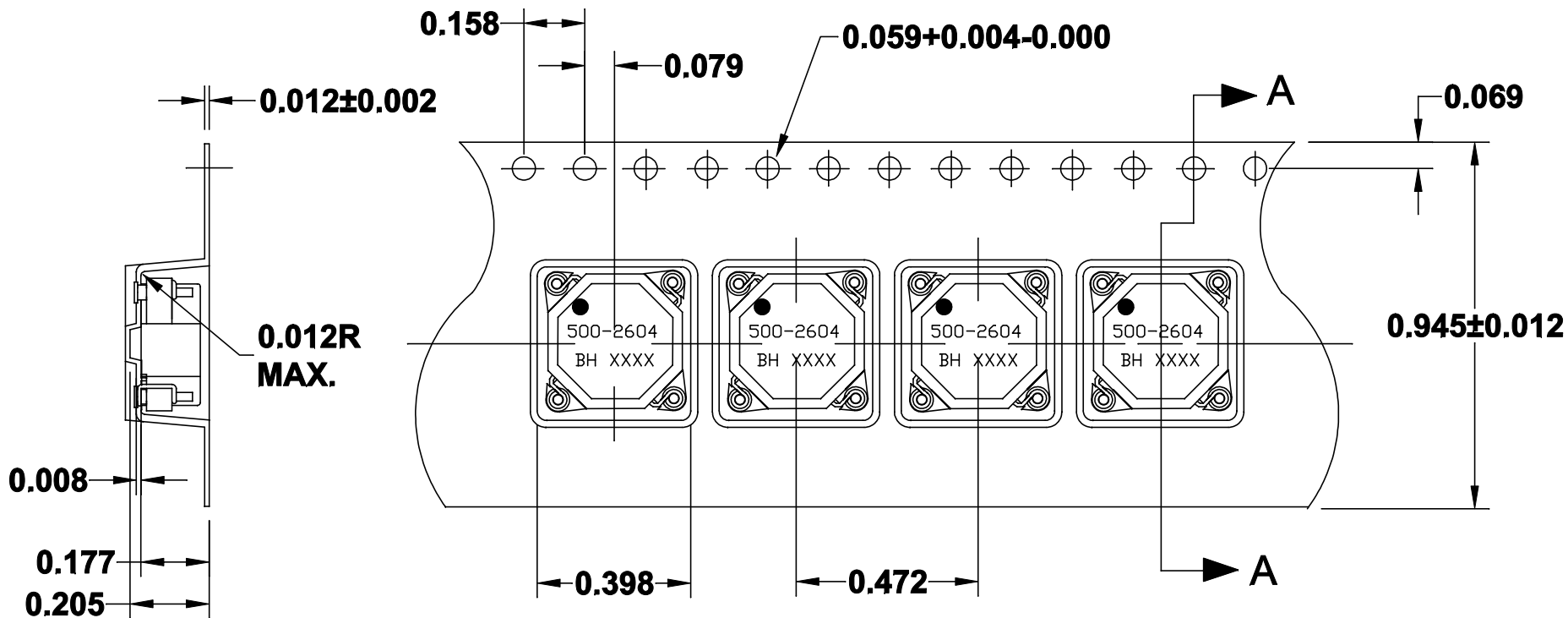
TITLE:

**CURRENT TRANSFORMER**


PART NO.

**500-2604**

| ISSUE | DATE    | REVISION               | BY  |
|-------|---------|------------------------|-----|
| F     | 2-13-12 | UPDATE DRAWING         | JDC |
| E     | 10-6-04 | CHG VOLT μSEC. PRODUCT | BH  |
| D     | 6-1-04  | ADD CUSTOMER NAME      | BH  |
| C     | 9-6-02  | ADD MAX. CURRENT       | BH  |
| B     | 1-2-02  | Q10724-2 NOW 500-2604  | BH  |
| A     | 5-29-01 | CUSTOMER PRINT         |     |



811-0187

| ISSUE | DATE    | REVISION              | BY  | DESIGN PER:  | <input type="checkbox"/> CUSTOM<br><input checked="" type="checkbox"/> NON-PROPRIETARY |  BH ELECTRONICS, INC.<br>BURNSVILLE & MARSHALL, MN<br>© 1998 BH Electronics |
|-------|---------|-----------------------|-----|--|--|--|
| F     | 2-13-12 | UPDATE DRAWING        | JDC | BH CATALOG   |  |  |
| E     | 10-6-04 | CHG V μSEC. PRODUCT   | BH  |  |  | PART NO.<br><b>500-2604</b>  |
| D     | 6-1-04  | ADD CUSTOMER NAME     | BH  | DRAWN: K. LOFTUS   |  |  |
| C     | 9-6-02  | ADD MAX. CURRENT      | BH  | ENGR: B. HAYS  |  |  |
| B     | 1-2-02  | Q10724-2 NOW 500-2604 | BH  | UNLESS OTHERWISE SPECIFIED:<br>DIMENSIONS IN INCHES, TOLERANCES<br>NON-CUMULATIVE<br>.XX±.01 .XXX±.005 |  |  |
| A     | 5-29-01 | CUSTOMER PRINT        |     | PAGE 2 OF 2  |  |  |