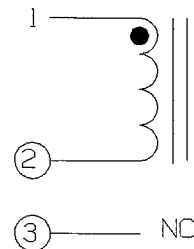
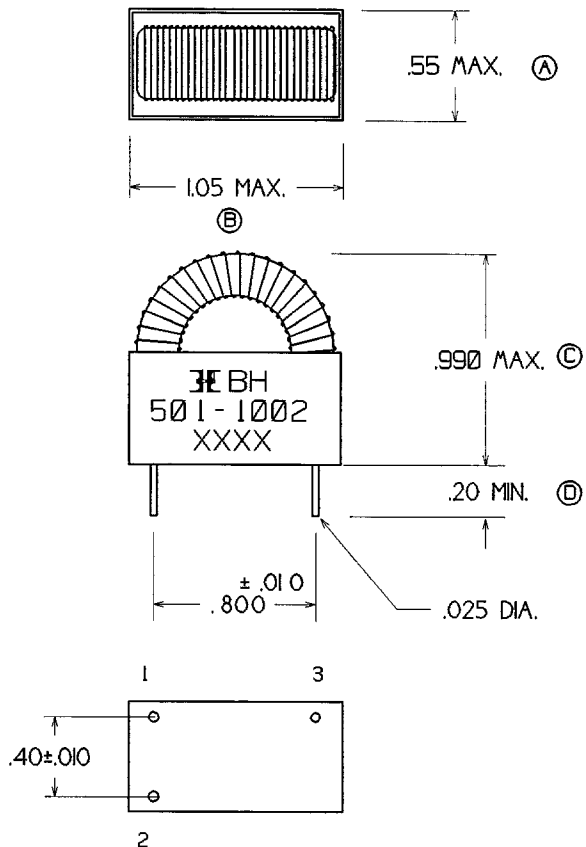


MECHANICAL

SCHEMATIC




ELECTRICAL SPECIFICATIONS

URNS RATIO:

OPEN CIRCUIT INDUCTANCE: 230  $\mu$ H @ 0 A DC MIN.  
1 KHz 100MV

115  $\mu$ H MIN @ 2.5 ADC

DC RESISTANCE: 0.12 OHMS MAX.

				DESIGNED PER:	 <b>BH ELECTRONICS, INC.</b> BURNSVILLE & MARSHALL, MN ©1998 BH Electronics
				BH CATALOG	
				DRAWN: K. LOFTUS	
D	9-7-00	ADD DIM. TARGETS		ENGR. J. DECRAMER	TITLE
C	7-16-97	ECR #3353 CHG HT TO .990 MAX.	JDC	UNLESS OTHERWISE SPECIFIED; DIMENSIONS IN INCHES, TOLERANCES NON-CUMULATIVE.	TOROID INDUCTOR
B	3-30-95	ECR #2371 UPDATE 1.2		.XX±.01 .XXX±.005	PART NO.
A	7-30-93	CUSTOMER PRINT		DO NOT SCALE	501-1002
ISSUE	DATE	REVISIONS		SHEET 1 / 1	