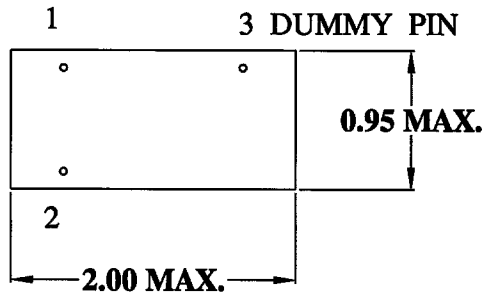
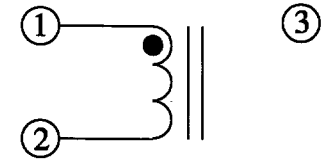
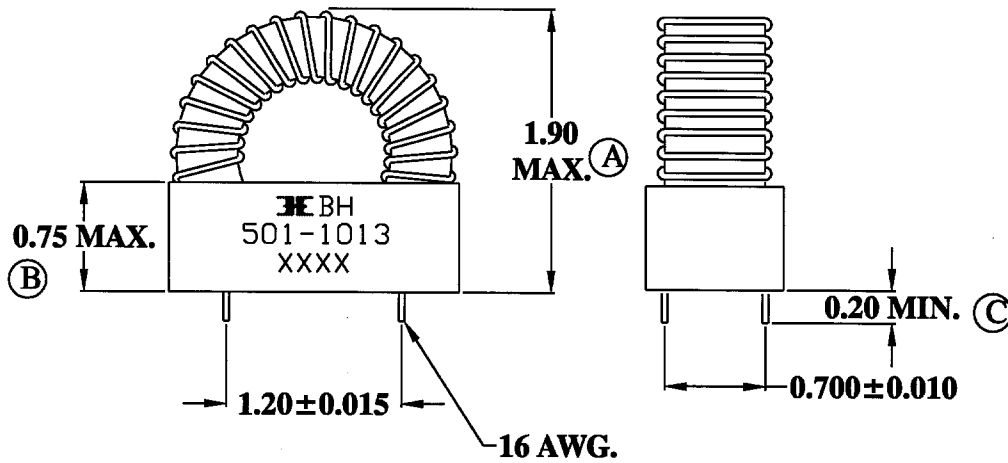


MECHANICAL

SCHEMATIC




ELECTRICAL SPECIFICATIONS

OPEN CIRCUIT INDUCTANCE: 60μH MIN. @ 10 ADC

120μH MIN. @ 0 ADC

DC RESISTANCE: 0.028 OHMS MAX.

				DESIGN PER:	 BH ELECTRONICS, INC. BURNSVILLE & MARSHALL, MN © 1998 BH Electronics
				BH CATALOG	
				DRAWN: K. LOFTUS	
				ENGR: J. DECRAMER	
B	9-17-02	ADD TARGET POINTS	<i>JDC</i>	UNLESS OTHERWISE SPECIFIED: DIMENSIONS IN INCHES, TOLERANCES NON-CUMULATIVE .XX±.01 .XXX±.005 PAGE 1 OF 1	TITLE:
A	3-20-95	CUSTOMER PRINT	JDC		POWER TRANSFORMER
ISSUE	DATE	REVISION	BY		PART NO.
					501-1013