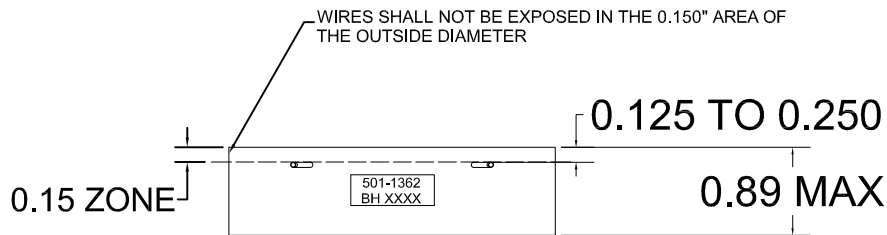
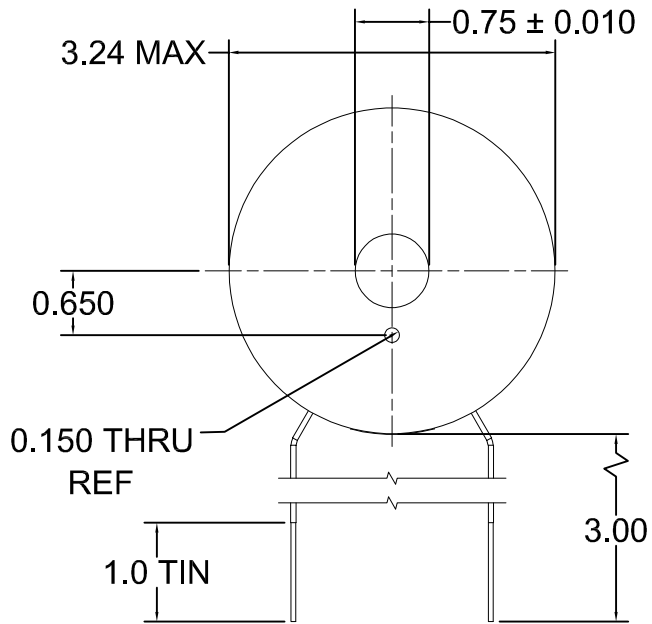
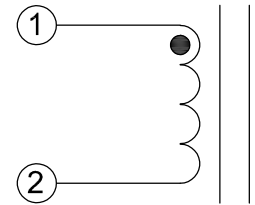


MECHANICAL



SCHEMATIC



ELECTRICAL SPECIFICATIONS


OPEN CIRCUIT INDUCTANCE: 48.88 - 57.38 μ H (1-2)
100 KHz 100mV

DC RESISTANCE: 0.025 OHMS NOM. (1-2)

RATED CURRENT: 80 % OF ORIGINAL 60 AMPS
50 % OF ORIGINAL 106 AMPS

WIRE TYPE: NEMA MW-80

POTTING MATERIAL: HENKEL UB 5005

ISSUE	DATE	REVISION	BY	DESIGN PER:	 BH ELECTRONICS, INC. BURNSVILLE & MARSHALL, MN © 1998 BH Electronics
				BH CATALOG	
				<input type="checkbox"/> CUSTOM <input checked="" type="checkbox"/> NON-PROPRIETARY	
E	5-5-16	UPDATE NOTES ON PRINT	JDC	DRAWN: KALANI SA	
D	11-13-15	UPDATE MECH	JDC	ENGR: J. DECRAMER	
C	12-5-14	REMOVE RETAINER	JDC	UNLESS OTHERWISE SPECIFIED: DIMENSIONS IN INCHES, TOLERANCES NON-CUMULATIVE .XX±.01 .XXX±.005	
B	11-13-14	SHOW POTTING	JDC		TITLE: INDUCTOR
A	11/3/2014	CUSTOMER PRINT	JDC		PART NO. 501-1362
				PAGE 1 OF 1	