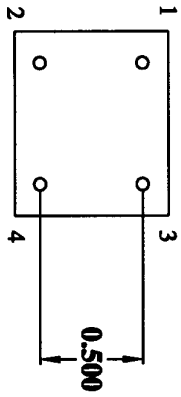
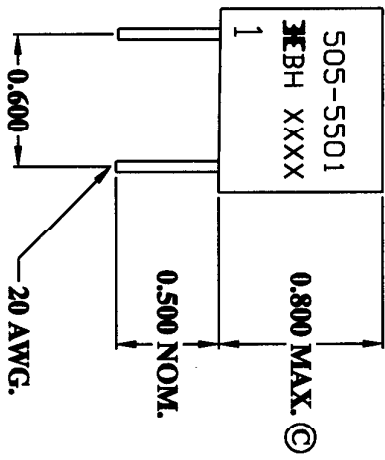
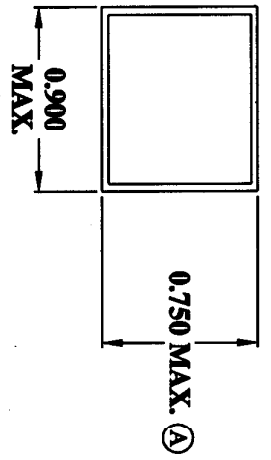
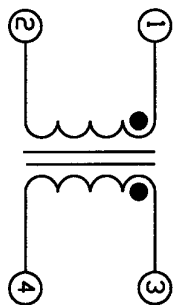


**MECHANICAL**



**SCHEMATIC**



**ELECTRICAL SPECIFICATIONS**

TURNS RATIO: 1:1  
 OPEN CIRCUIT INDUCTANCE: 1.0mH MIN. (1-2) 1 KHz 100mV  
 PRIMARY LEAKAGE INDUCTANCE: 20uH MAX. (1-2 SH 3-4)  
 INTERWINDING CAPACITANCE: 30pF MAX. (1, 2 - 3, 4)  
 HIGH VOLTAGE TEST: 2500 VRMS 1 SEC.  
 ET CONSTANT: 90 Vu SEC. MIN.

**DESIGN PER:**

**CATALOG**

**DRAWN:** K. LOFTUS

**ENGR:** J. DECRAMER

UNLESS OTHERWISE SPECIFIED:  
 DIMENSIONS IN INCHES, TOLERANCES  
 NON-CUMULATIVE  
 XX±01 XXX±005



BH ELECTRONICS, INC.  
 BURNSVILLE & MARSHALL, MN  
 © 1998 BH Electronics

**TITLE:**

**SCR TRIGGER TRANSFORMER**

**PART NO.**

**505-5501**

ISSUE	DATE	REVISION	BY
A	12-4-02	CUSTOMER PRINT	JL

DESIGN PER:	
DRAWN:	K. LOFTUS
ENGR:	J. DECRAMER
UNLESS OTHERWISE SPECIFIED: DIMENSIONS IN INCHES, TOLERANCES NON-CUMULATIVE XX±01 XXX±005	
PAGE	1 OF 1