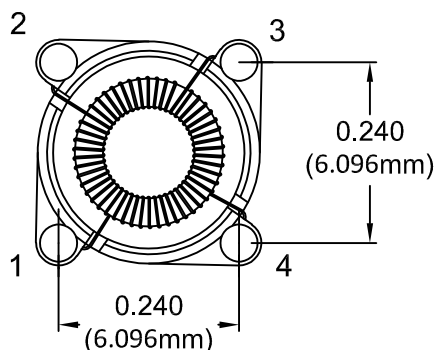
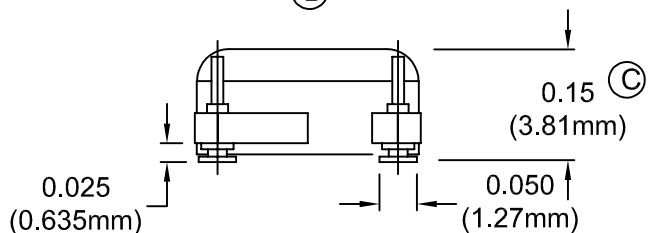
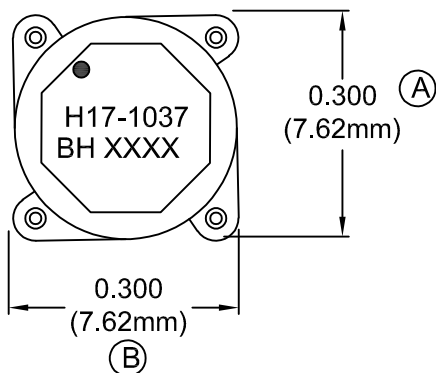


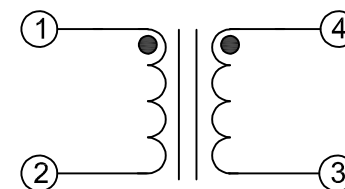
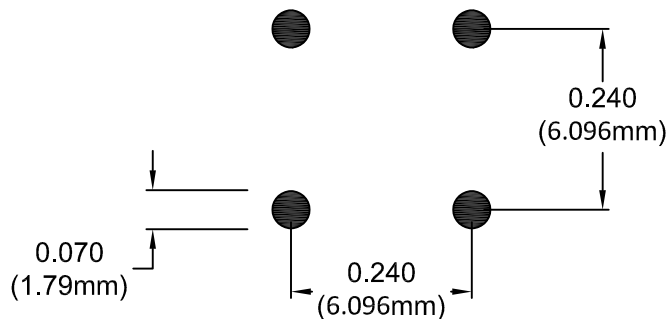
MECHANICAL

SUGGESTED PAD LAYOUT

SCHEMATIC



COPLANARITY 0.004 MAX.



ELECTRICAL SPECIFICATIONS

TURNS RATIO: 1 : 1

OPEN CIRCUIT INDUCTANCE: 67.39 $\mu\text{H} \pm 10\%$ @ 0 ADC (1, 4 - 2, 3)
10 KHz 20mV

DC BIAS: 43.80 μH TYP. @ 0.86 ADC (1, 4 - 2, 3)
10 KHz 20mV

DC RESISTANCE: 0.900 OHMS MAX. (1, 4 - 2, 3)

IR: 1K MEGOHMS MIN. @ 100 VDC (1-4)

PRIMARY LEAKAGE: 0.48 μH NOM (1-2 SH 3,4)
120 KHz 50mV

DESIGN PER:

BH CATALOG

CUSTOM NON-PROPRIETARY

DRAWN: KALANI SA

ENGR: NATE DOOSE

UNLESS OTHERWISE SPECIFIED:
DIMENSIONS IN INCHES, TOLERANCES
NON-CUMULATIVE
.XX \pm .01 .XXX \pm .005

PAGE 1 OF 1



BH ELECTRONICS, INC.
BURNSVILLE & MARSHALL, MN

© 1998 BH Electronics

TITLE:

INDUCTOR

PART NO.

H17-1037

A	7-9-19	CUSTOM PRINT	<i>NYS</i>
---	--------	--------------	------------

ISSUE	DATE	REVISION	BY
-------	------	----------	----