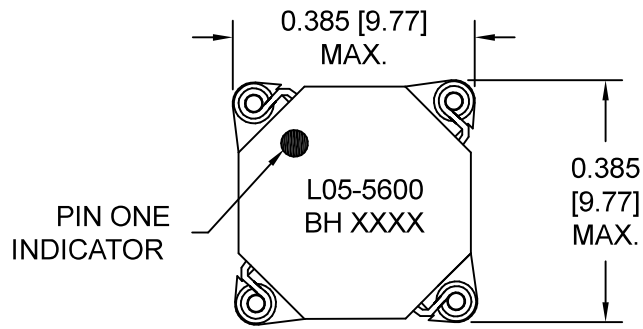


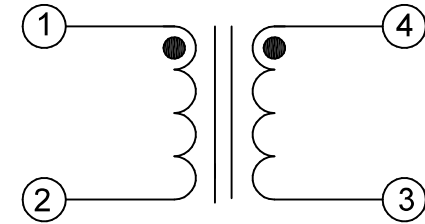
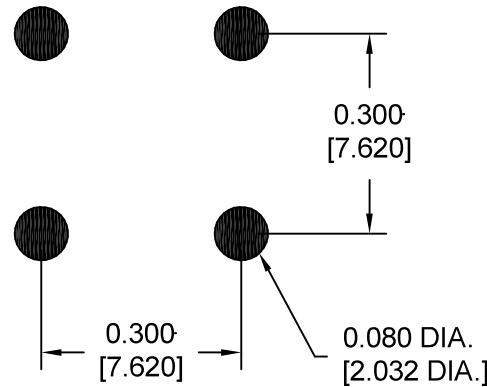
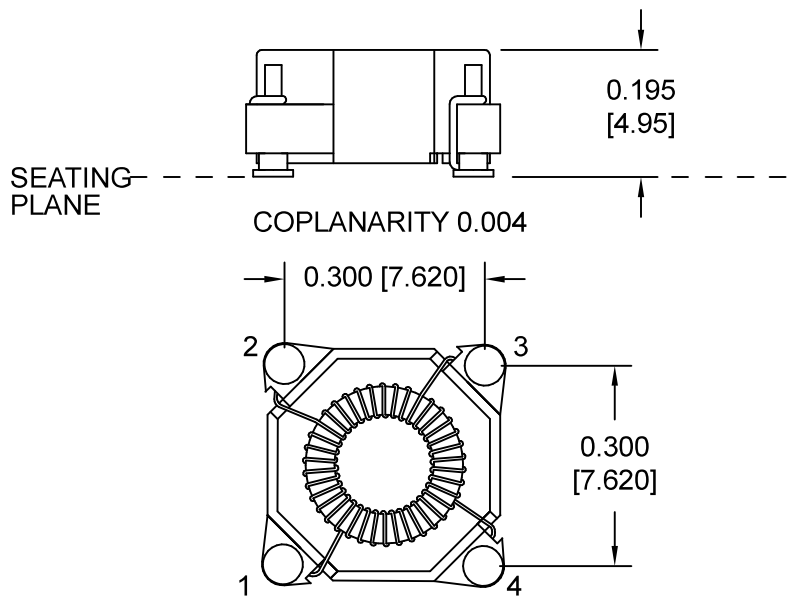
MECHANICAL

RECOMMENDED PC BOARD LAYOUT

SCHEMATIC



NOTE: LABEL MUST NOT EXTEND OVER EDGES OF CASE



ELECTRICAL SPECIFICATIONS

URNS RATIO: 1:1

OPEN CIRCUIT INDUCTANCE: 6.2 mH NOM. (1-2)

100 KHz 100mV

PRIMARY LEAKAGE INDUCTANCE: 1.39 μ H NOM. (1-2 SH 3, 4)

120 KHz 50mV

DC RESISTANCE: 1.375 OHMS NOM (1-2)

1.475 OHMS NOM (4-3)

HIGH VOLTAGE TEST: 200 VAC (1-4)

CI: 21 pF NOM. (1-4) 120 KHz 50 mV

IR: 10 K MEGOHMS MIN @ 100 VDC (1-4)

ET: 40 V μ SEC. MIN (1-2)

TEMP RATING: -40C TO +125C

DESIGN PER:

BH CATALOG

CUSTOM

NON-PROPRIETARY

DRAWN: KALANI SA

ENGR: J. DECRAMER

UNLESS OTHERWISE SPECIFIED:
DIMENSIONS IN INCHES, TOLERANCES
NON-CUMULATIVE
.XX \pm .01 .XXX \pm .005

PAGE 1 OF 2



BH ELECTRONICS, INC.
BURNSVILLE & MARSHALL, MN

© 1998 BH Electronics

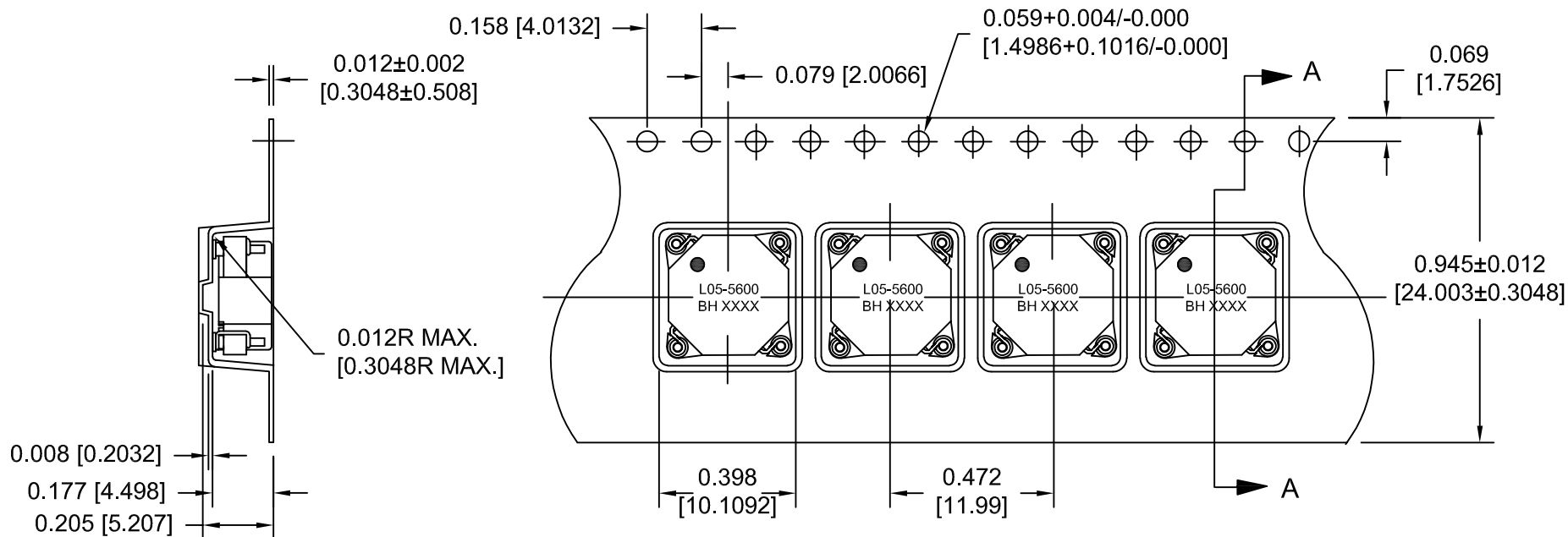
TITLE:

TRIGGER TRANSFORMER


PART NO.

L05-5600

| ISSUE | DATE | REVISION | BY |
|-------|----------|--------------------|-----|
| C | 1-19-17 | CHANGE TO L05-5600 | JDC |
| B | 12-28-16 | REVISE TOROID | JDC |
| A | 12-14-16 | CUSTOMER PRINT | JDC |



CARRIER TAPE 811-0187

| | | | | | | |
|-------|----------|--------------------|-----|---|---|--|
| | | | | DESIGN PER: | BH CATALOG |  BH ELECTRONICS, INC. BURNSVILLE & MARSHALL, MN © 1998 BH Electronics |
| | | | | <input type="checkbox"/> CUSTOM | <input checked="" type="checkbox"/> NON-PROPRIETARY | |
| | | | | DRAWN: | KALANI SA | |
| | | | | ENGR: | J. DECRAMER | |
| C | 1-19-17 | CHANGE TO L05-5600 | | UNLESS OTHERWISE SPECIFIED: DIMENSIONS IN INCHES, TOLERANCES NON-CUMULATIVE .XX±.01 .XXX±.005 PAGE 2 OF 2 | | TITLE: |
| B | 12-28-16 | REVISE TOROID | JDC | | | TRIGGER TRANSFORMER |
| A | 12-14-16 | CUSTOMER PRINT | JDC | | | PART NO. |
| ISSUE | DATE | REVISION | BY | | | L05-5600 |