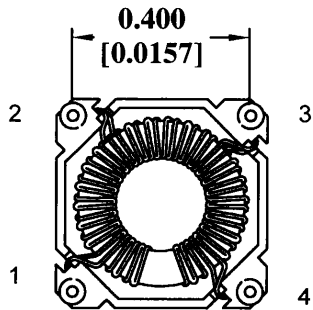
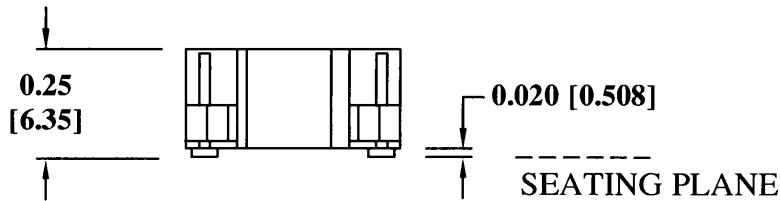
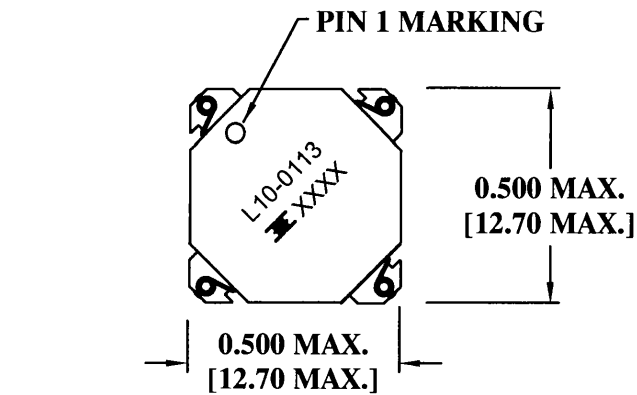
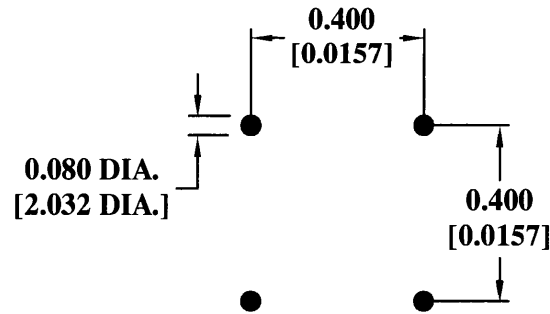


MECHANICAL

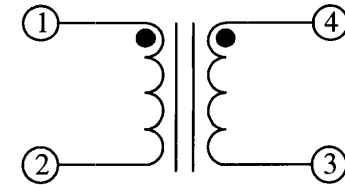


COPLANARITY 0.004" [0.1016]

RECOMMENDED PC BOARD LAYOUT



SCHEMATIC



ELECTRICAL SPECIFICATIONS

URNS RATIO: 1:1

OPEN CIRCUIT INDUCTANCE: 250.0μH ±20% @ 0 ADC (1, 4 - 2, 3)
10 KHz 100mV


DC BIAS: 228.0μH TYP. @ 0.88 ADC (1, 4 - 2, 3)
10 KHz 100mV

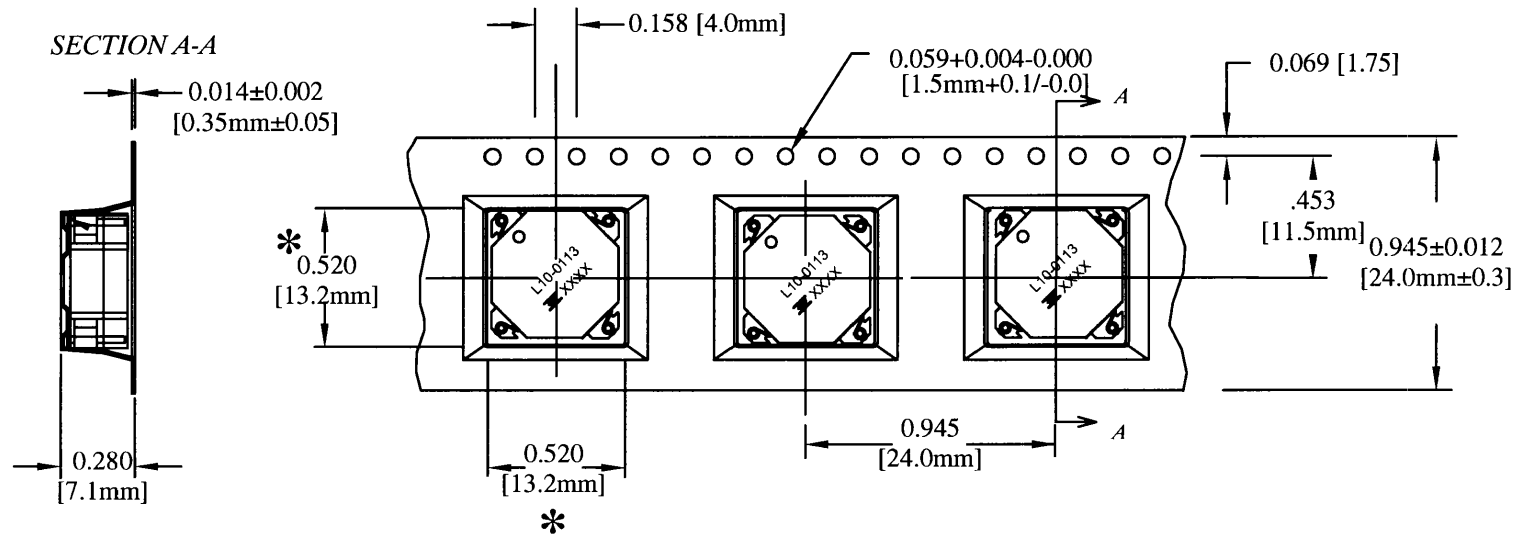
DC RESISTANCE: 0.65 OHMS MAX. (1, 4 - 2, 3)

HIGH VOLTAGE TEST: 1000 VAC (1-4)


PRIMARY LEAKAGE INDUCTANCE: 1.18μH MAX. (1-2) (SH 4, 3) 120 KHz 50mV

RoHS Compliant

				DESIGN PER: BH CATALOG	 BH ELECTRONICS, INC. BURNSVILLE & MARSHALL, MN © 1998 BH Electronics
				<input checked="" type="checkbox"/> CUSTOM NON-PROPRIETARY <input type="checkbox"/>	
				DRAWN: K. LOFTUS	TITLE: QTR PAK™ (Switching Regulator)
				ENGR: J. DECRAMER	
B	8-9-11	Q12786-3 NOW L10-0113	<i>JDC</i>	UNLESS OTHERWISE SPECIFIED: DIMENSIONS IN INCHES, TOLERANCES NON-CUMULATIVE .XX±.01 .XXX±.005	PART NO.
A	4-20-11	CUSTOMER PRINT	JDC		L10-0113
ISSUE	DATE	REVISION	BY	PAGE 1 OF 2	



CARRIER TAPE 811-0137

				DESIGN PER:	BH CATALOG	 BH ELECTRONICS, INC. BURNSVILLE & MARSHALL, MN © 1998 BH Electronics
				<input checked="" type="checkbox"/> CUSTOM	<input type="checkbox"/> NON-PROPRIETARY	
				DRAWN:	K. LOFTUS	TITLE: QTR PAK™ (Switching Regulator)
				ENGR:	J. DECRAMER	
B	8-9-11	Q12786-3 NOW L10-0113		UNLESS OTHERWISE SPECIFIED: DIMENSIONS IN INCHES, TOLERANCES NON-CUMULATIVE .XX±.01 .XXX±.005		PART NO. L10-0113
A	4-20-11	CUSTOMER PRINT	JDC			
ISSUE	DATE	REVISION	BY	PAGE 2 OF 2		