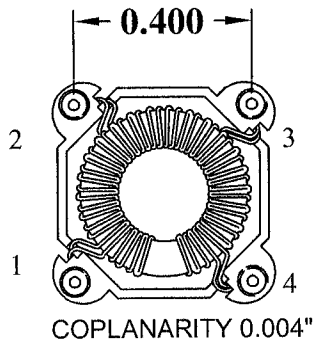
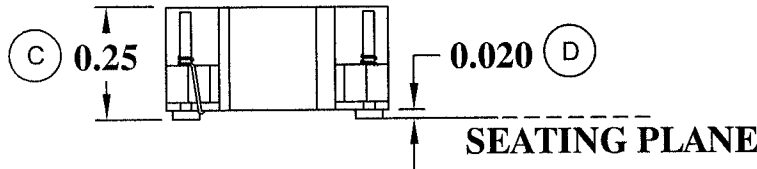
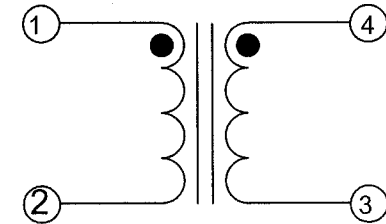
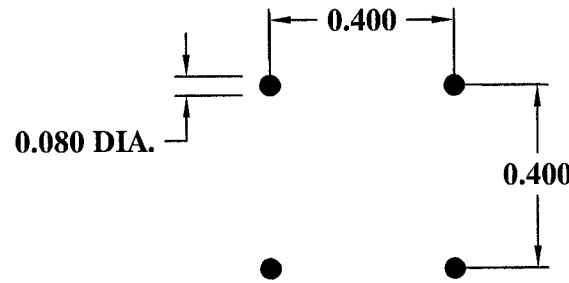
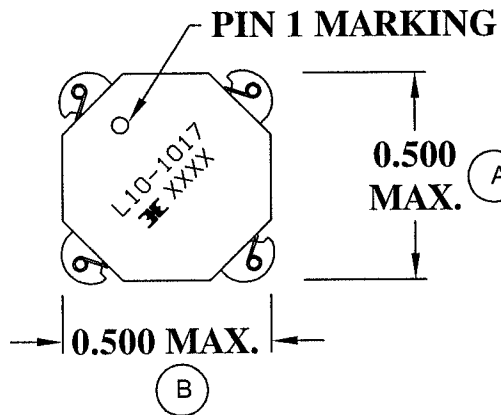


MECHANICAL

RECOMMENDED PC BOARD LAYOUT

SCHEMATIC



ELECTRICAL SPECIFICATIONS

URNS RATIO: 1:1


OPEN CIRCUIT INDUCTANCE: 10.89 - 16.33 μ H @ 0 ADC (1, 4 - 2, 3)
10 KHz 100mV

OPEN CIRCUIT INDUCTANCE: 10.89 μ H TYP. @ 3.75 ADC
(1, 4 - 2, 3) 10 KHz 100mV

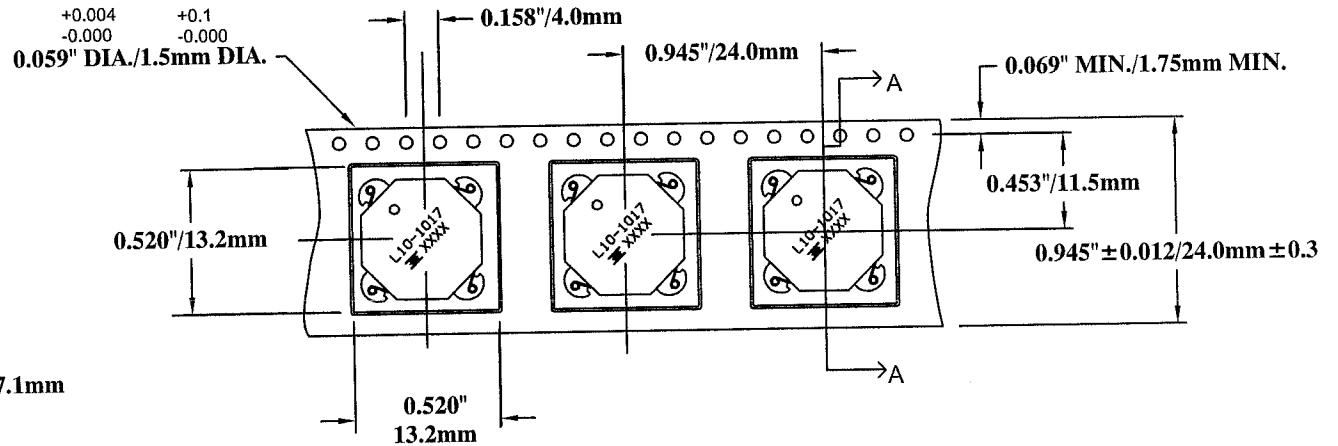
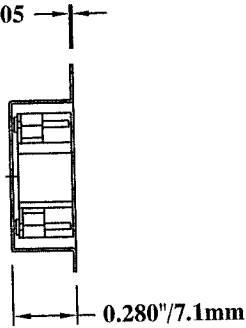
DC RESISTANCE: (1-2) 0.0509 OHMS NOM.
(4-3) 0.0509 OHMS NOM.

IR: 100 VDC (1-4) 1K MEGOHMS MIN.


RoHS Compliant

				DESIGNED PER: BH CATALOG	 (R) BH Electronics, Inc. Burnsville & Marshall, MN © 1998 BH Electronics
				<input type="checkbox"/> CUSTOM <input checked="" type="checkbox"/> NON-PROPRIETARY	
				DRAWN Kathy Loftus	TITLE: QTR PAK™ (Inductor, Switching Regulator)
				ENGR. J. DECRAMER	
				UNLESS OTHERWISE SPECIFIED: DIMENSIONS IN INCHES, TOLERANCES NON-CUMULATIVE. .XX±.01 .XXX±.005	PART NO. L10-1017
				PAGE 1 OF 2	
ISSUE	DATE	REVISION	BY		

SECTION A-A
 $0.014 \pm 0.002 / 0.35 \text{mm} \pm 0.05$



CARRIER TAPE 811-0137

				DESIGNED PER:	 BH Electronics, Inc. Burnsville & Marshall, MN © 1998 BH Electronics	
				BH CATALOG		
			<input type="checkbox"/> CUSTOM	<input checked="" type="checkbox"/> NON-PROPRIETARY		
				DRAWN Kathy Loftus		
				ENGR. J. DECRAMER		
C	11-15-06	ECR #7163 NEW FORMAT		UNLESS OTHERWISE SPECIFIED: DIMENSIONS IN INCHES, TOLERANCES NON-CUMULATIVE. .XX \pm .01 .XXX \pm .005	TITLE:	
B	9-13-05	ADD RoSH COMPLIANT	JDC		QTR PAK™	(Inductor, Switching Regulator)
A	5-19-05	CUSTOMER PRINT	JDC		PART NO.	
ISSUE	DATE	REVISION	BY		PAGE 2 OF 2	L10-1017