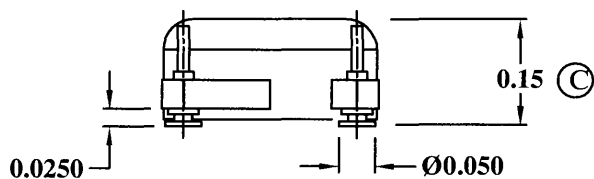
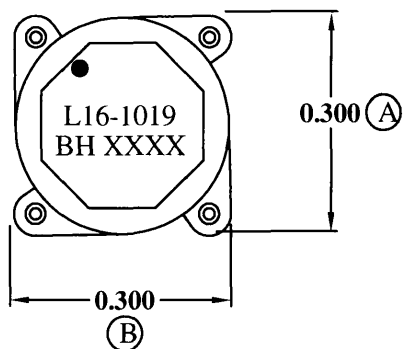
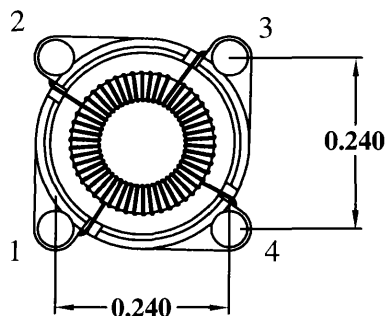


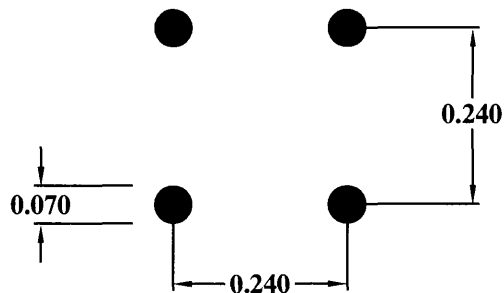
MECHANICAL



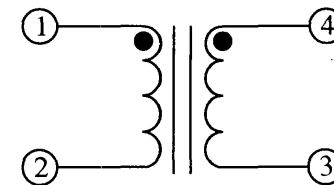
COPLANARITY 0.004 MAX.



SUGGESTED PAD LAYOUT



SCHEMATIC



ELECTRICAL SPECIFICATIONS

URNS RATIO: 1:1


OPEN CIRCUIT INDUCTANCE: 18.79 $\mu$ H $\pm$ 20% @ 0 ADC (1, 4 - 2, 3)  
10 KHz 100mV

DC BIAS: 15.03 $\mu$ H TYP. @ 1.78 ADC (1, 4 - 2, 3)  
10 KHz 100mV

DC RESISTANCE: 0.224 OHMS MAX. (1, 4 - 2, 3)

IR: 1K MEGOHMS MIN. @ 100 VDC (1-4)

(RoHS COMPLIANT)

				DESIGN PER:	BH CATALOG		 BH ELECTRONICS, INC. BURNSVILLE & MARSHALL, MN © 1998 BH Electronics
				<input type="checkbox"/> CUSTOM <input checked="" type="checkbox"/> NON-PROPRIETARY			
				DRAWN:	K. LOFTUS		TITLE: <b>INDUCTOR</b>
				ENGR:	J. DECRAMER		
				UNLESS OTHERWISE SPECIFIED: DIMENSIONS IN INCHES, TOLERANCES NON-CUMULATIVE .XX $\pm$ .01 .XXX $\pm$ .005			
C	10-21-13	PAD LAYOUT		PAGE 1 OF 1			PART NO. <b>L16-1019</b>
B	6-10-10	ADD RoHS COMPLIANT	JDC				
A	10-19-07	CUSTOMER PRINT	JDC				
ISSUE	DATE	REVISION	BY				