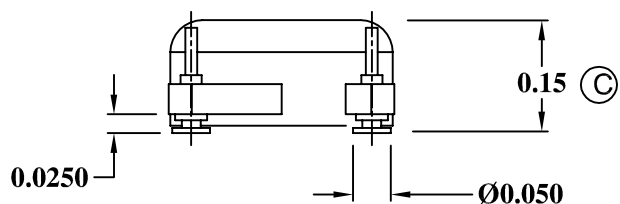
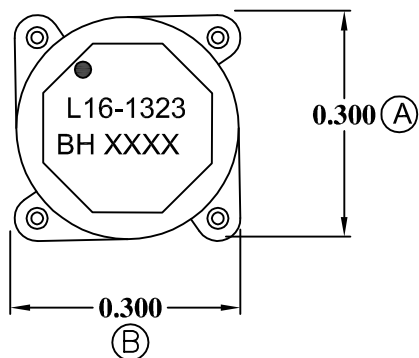
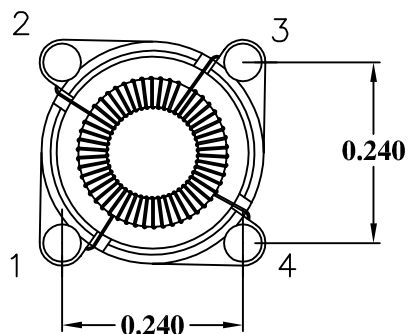


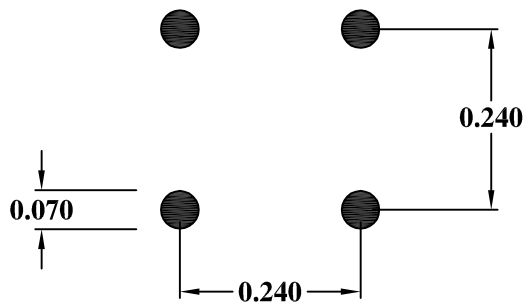
MECHANICAL



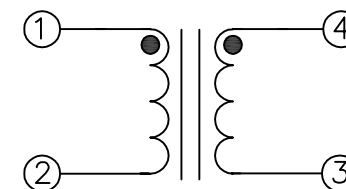
COPLANARITY 0.004 MAX.



SUGGESTED PAD LAYOUT



SCHEMATIC



ELECTRICAL SPECIFICATIONS

URNS RATIO: 1:1

OPEN CIRCUIT INDUCTANCE: 28.07µH±20% @ 0 ADC (1, 4 - 2, 3)
10 KHz 100mV


DC BIAS: 22.46µH TYP. @ 1.46 ADC (1, 4 - 2, 3)
10 KHz 100mV

DC RESISTANCE: 0.65 OHMS NOM. (1, 4 - 2, 3)

HIGH VOLTAGE: 1500 VAC/1 SEC. (1-4)

PRIMARY LEAKAGE: 475 nH NOM (1-2 SH 3,4)
120 KHz 50mV

RoHS COMPLIANT

				DESIGN PER:	BH CATALOG	 BH ELECTRONICS, INC. BURNSVILLE & MARSHALL, MN © 1998 BH Electronics
				<input type="checkbox"/> CUSTOM <input checked="" type="checkbox"/> NON-PROPRIETARY		
				DRAWN:	KALANI SA	TITLE: INDUCTOR
				ENGR:	J. DECRAMER	
				UNLESS OTHERWISE SPECIFIED: DIMENSIONS IN INCHES, TOLERANCES NON-CUMULATIVE .XX±.01 .XXX±.005		PART NO. L16-1323
ISSUE	DATE	REVISION	BY			
C	3-12-14	BH CATALOG	JDC			
B	8-9-11	CHANGE TO L16-1323 (Q12800)				
A	11-2-10	CUSTOMER PRINT				