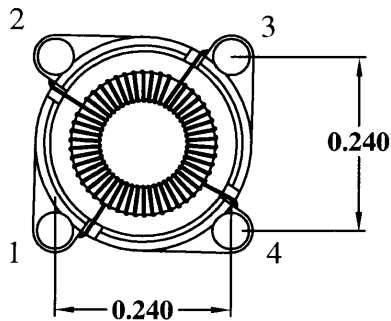
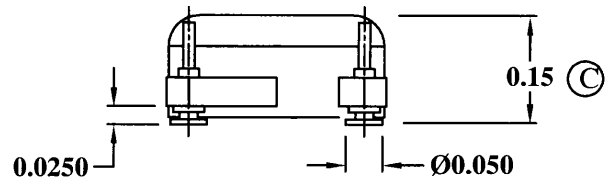
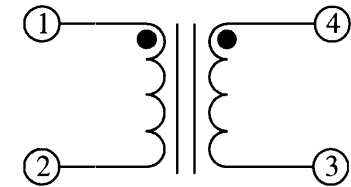
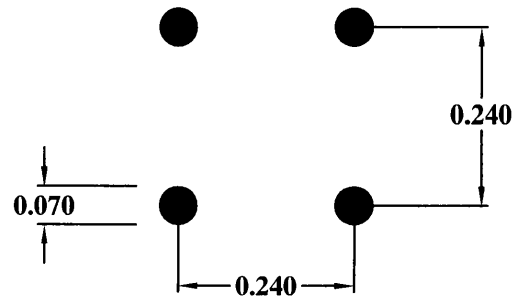
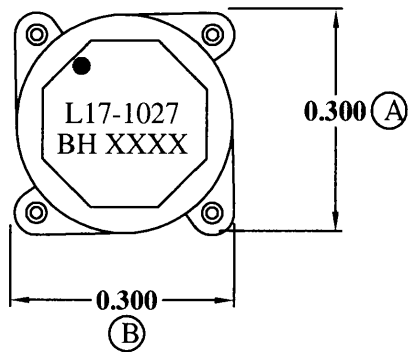


MECHANICAL

SUGGESTED PAD LAYOUT

SCHEMATIC



COPLANARITY 0.004 MAX.

ELECTRICAL SPECIFICATIONS

URNS RATIO: 1:1


OPEN CIRCUIT INDUCTANCE: 35.15 $\mu$ H $\pm$ 10% @ 0 ADC (1, 4 - 2, 3)  
10 KHz 40mV

DC BIAS: 22.85 $\mu$ H TYP. @ 1.19 ADC (1, 4 - 2, 3)  
10 KHz 40mV

DC RESISTANCE: 0.393 OHMS MAX. (1, 4 - 2, 3)

IR: 1K MEGOHMS MIN. @ 100 VDC (1-4)

RoHS COMPLIANT

				DESIGN PER:	BH CATALOG	 BH ELECTRONICS, INC. BURNSVILLE & MARSHALL, MN © 1998 BH Electronics
				<input type="checkbox"/> CUSTOM <input checked="" type="checkbox"/> NON-PROPRIETARY		
				DRAWN:	K. LOFTUS	TITLE: INDUCTOR
				ENGR:	J. DECRAMER	
				UNLESS OTHERWISE SPECIFIED: DIMENSIONS IN INCHES, TOLERANCES NON-CUMULATIVE .XX $\pm$ .01 .XXX $\pm$ .005		PART NO. L17-1027
ISSUE	DATE	REVISION	BY	PAGE 1 OF 1		