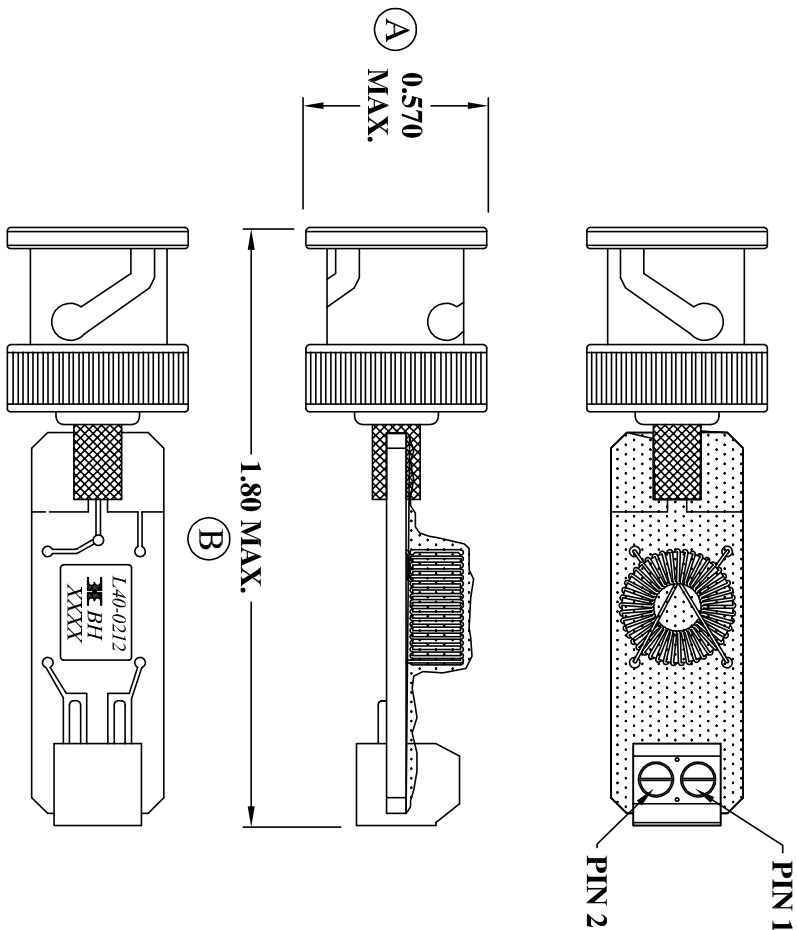
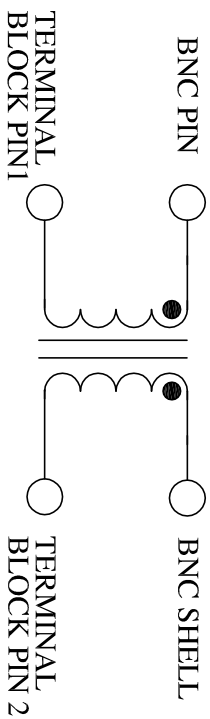


MECHANICAL



SCHEMATIC



ELECTRICAL SPECIFICATIONS  
 TURNS RATIO: 1:1

OPEN CIRCUIT INDUCTANCE: 9mH MIN. 10 KHz 1V

BNC PIN TO TERMINAL BLOCK PIN 1

BNC SHELL TO TERMINAL BLOCK PIN 2

DC RESISTANCE: 1.30 OHMS MAX.

BNC PIN TO TERMINAL BLOCK PIN 1

BNC SHELL TO TERMINAL BLOCK PIN 2

HIGH VOLTAGE TEST: 250 VAC / 1 SEC.

DESIGN PER:

BH CATALOG

CUSTOM

NON-PROPRIETARY

DRAWN:

K. LOFTUS

ENGR:

B. GASS



<sup>®</sup> BH ELECTRONICS, INC.  
 BURNSVILLE & MARSHALL, MN  
 © 1998 BH Electronics

TITLE:

COMPOSITE VIDEO BALUN

PART NO.

L40-0212

ISSUE	DATE	REVISION	BY
A	2-27-08	CUSTOMER PRINT (Q11481-1)	

UNLESS OTHERWISE SPECIFIED: DIMENSIONS IN INCHES, TOLERANCES NON-CUMULATIVE .XX±.01 .XXX±.005	
PAGE 1 OF 1	