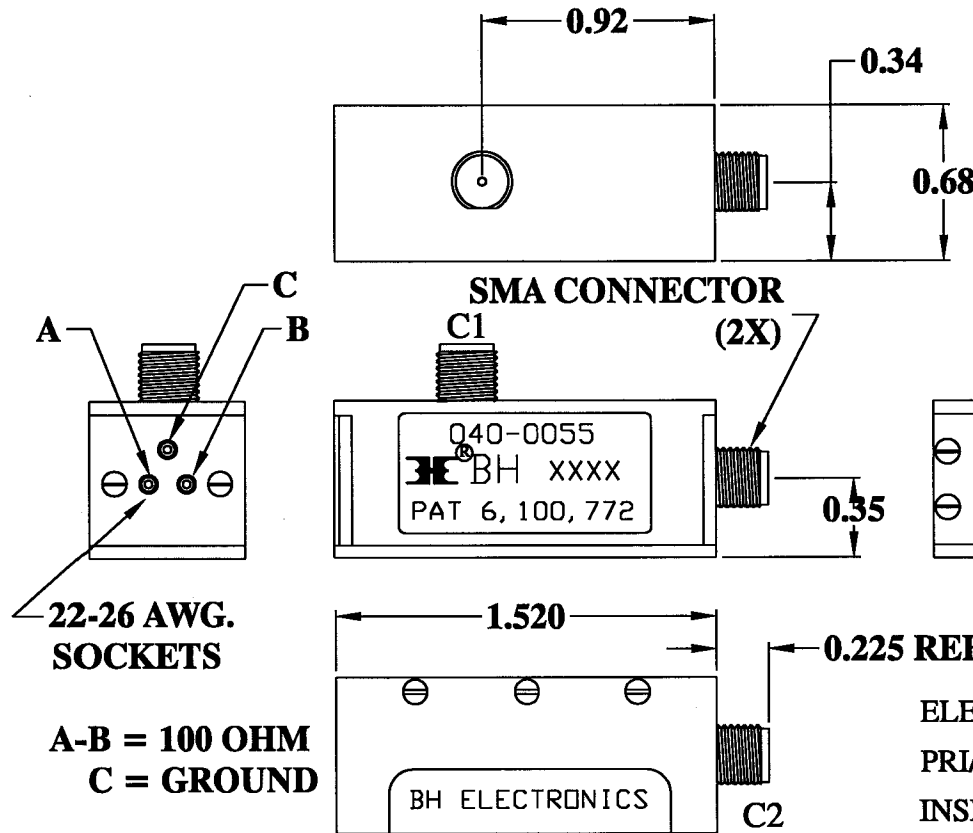


MECHANICAL

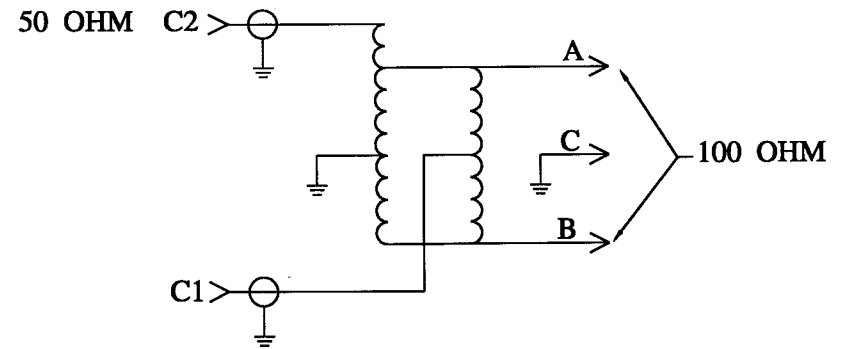


A
B
C

22-26 AWG.
SOCKETS

A-B = 100 OHM
C = GROUND

SCHEMATIC



ELECTRICAL SPECIFICATIONS

PRI/SEC IMPEDANCE: 50 OHMS UNBAL : 100 OHMS BAL
 INSERTION LOSS: 2.4dB MAX. 1-350 MHz
 RETURN LOSS (50:100): 20dB MIN. 3-350 MHz
 RETURN LOSS (100:50): 20dB MIN. 3-350 MHz
 RETURN LOSS, COMMON MODE: 20dB MIN. 1-350 MHz
 LONGITUDINAL BALANCE: 50dB MIN. 1-350 MHz

ISSUE	DATE	REVISION	BY
G	10-17-00	ECR #4872 CHANGE LABEL	JDC
F	2-23-98	SCHEMATIC CHANGE	JDC
E	12-21-97	INSERTION LOSS TO 1-350 MHz	JDC
D	12-4-97	CORRECT DIMENSIONS	JDC
C	11-21-97	REDESIGN CASE	
B	7-29-97	PRODUCTION RELEASE	
A	12-9-96	CUSTOMER PRINT (Q9455-1)	


DESIGN PER:

DRAWN: K. LOFTUS

ENGR: J. DECRAMER

UNLESS OTHERWISE SPECIFIED:
 DIMENSIONS IN INCHES, TOLERANCES
 NON-CUMULATIVE
 .XX±.01 .XXX±.005

PAGE 1 OF 1



BH ELECTRONICS, INC.
 BURNSVILLE & MARSHALL, MN

© 1998 BH Electronics

TITLE: TEST BALUN, 3-350 MHz
 50:100 OHM IMPEDANCE MATCH

PART NO. 040-0055