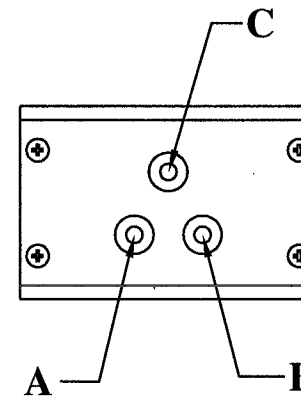
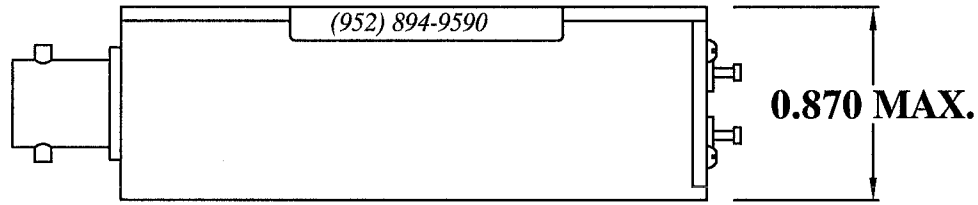
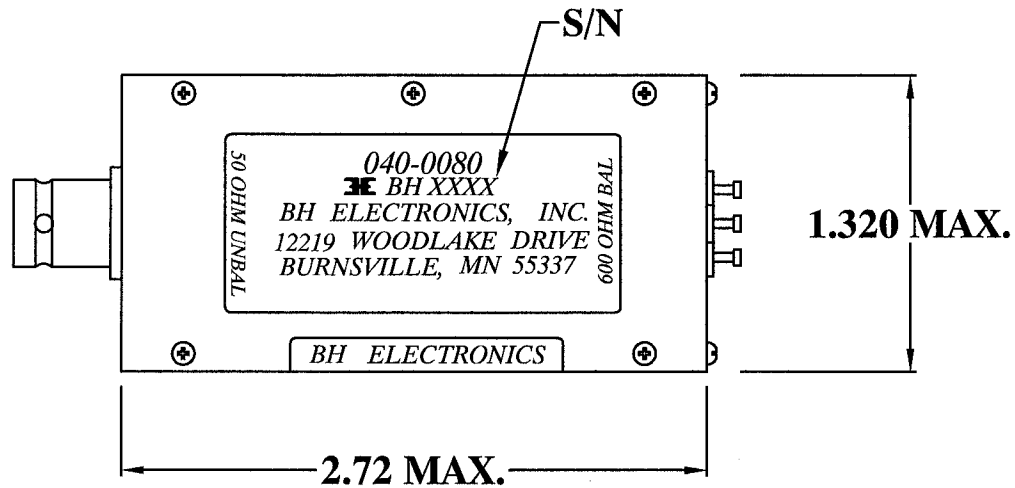
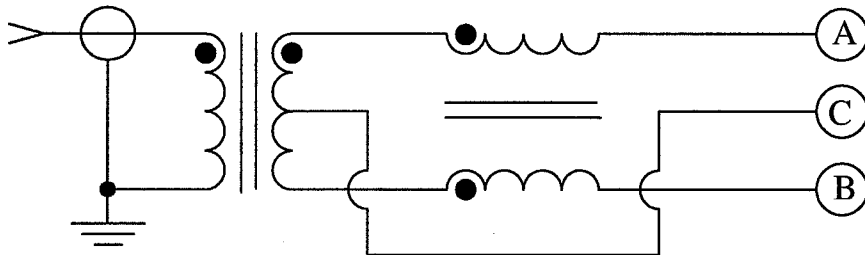


MECHANICAL



SCHEMATIC



ELECTRICAL SPECIFICATIONS

INSERTION LOSS: 2dB MAX. 200Hz - 1.2MHz (BACK TO BACK)


RETURN LOSS: (BI-DIRECTIONAL)

17.5dB MIN. 200Hz - 500Hz

20dB MIN. 500Hz - 1.0MHz

17.5dB MIN. 1.0 MHz - 1.2 MHz

COMMON MODE REJECTION: 50dB MIN. 200Hz - 1.2 MHz

				DESIGN PER:	BH CATALOG	 BH ELECTRONICS, INC. BURNSVILLE & MARSHALL, MN © 1998 BH Electronics
				<input type="checkbox"/> CUSTOM	<input checked="" type="checkbox"/> NON-PROPRIETARY	
				DRAWN:	K. LOFTUS	TITLE: 50:600 OHM DSL TEST BALUN PART NO. 040-0080
				ENGR:	N. DOOSE	
B	12-28-04	UPDATE TO CAD	<i>ND</i>	UNLESS OTHERWISE SPECIFIED: DIMENSIONS IN INCHES, TOLERANCES NON-CUMULATIVE .XX±.01 .XXX±.005		
A	3-1-00	CUSTOMER PRINT (Q10122)	NGD			
ISSUE	DATE	REVISION	BY	PAGE 1 OF 1		