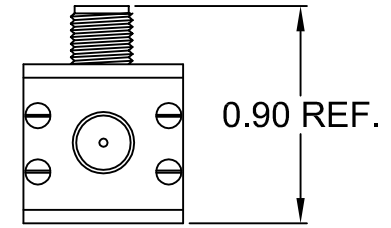
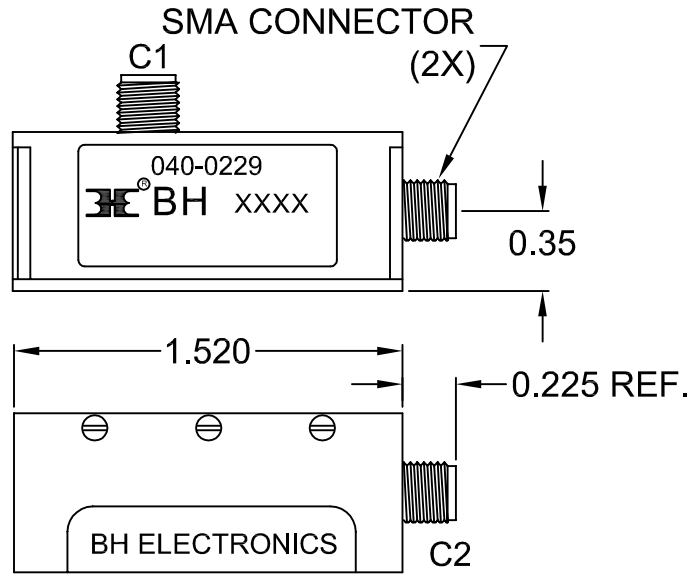
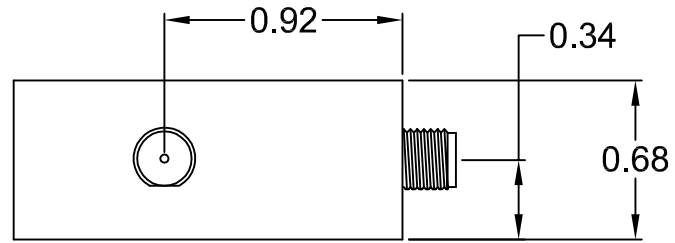
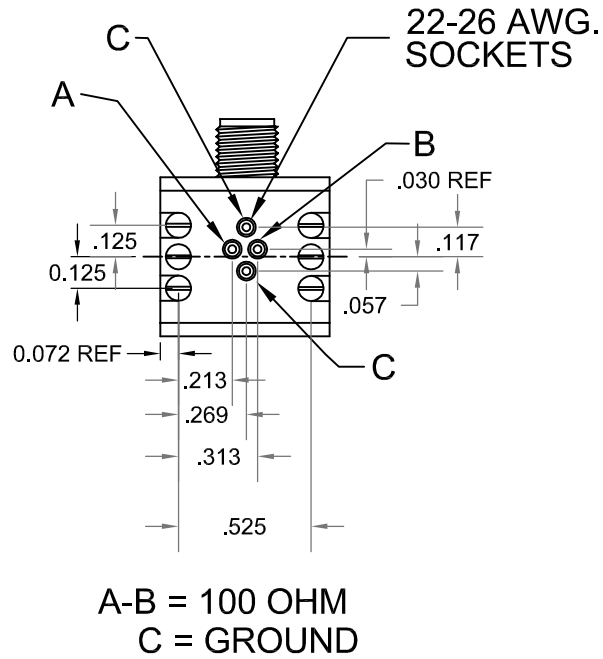


MECHANICAL



ISSUE	DATE	REVISION	BY
F	5-5-16	ADD HOLE DIMENSION	
E	10-1-13	ECR #9509 CHG HOLE PLACEMENT	BG
D	9-11-12	ECR #9369 REVISE ELECTRICALS	JDC
C	10-19-10	REVISE ELECTRICALS	JDC
B	9-30-10	REVISE LABEL	JDC
A	12-3-09	CUSTOMER PRINT (Q11311)	BG

DESIGN PER:

**BH CATALOG**


CUSTOM  NON-PROPRIETARY

DRAWN: KALANI SA

ENGR: B. GASS

UNLESS OTHERWISE SPECIFIED:  
DIMENSIONS IN INCHES, TOLERANCES  
NON-CUMULATIVE  
.XX±.01 .XXX±.005

PAGE 1 OF 2



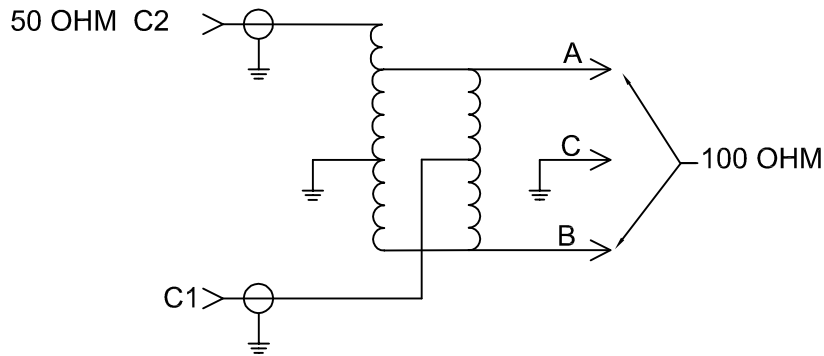
**BH ELECTRONICS, INC.**  
BURNSVILLE & MARSHALL, MN

© 1998 BH Electronics

TITLE: **1.3 GHz TEST BALUN**

PART NO. **040-0229**

**SCHEMATIC**



**ELECTRICAL SPECIFICATIONS**

INSERTION LOSS (BACK TO BACK): -7.0dB MAX. @ 1 MHz RAMPING TO -3.5dB MAX. @ 10 MHz  
 -3.5dB MAX. @ 10 MHz TO -3.5dB MAX. @ 550 MHz  
 -3.5dB MAX. @ 550 MHz RAMPING TO -7.0dB MAX. @ 1.3 GHz

RETURN LOSS (50:100): -3.0dB MIN. @ 1 MHz RAMPING TO -20.0dB MIN. @ 100 MHz  
 -20.0dB MIN. @ 100 MHz RAMPING TO -20.0dB MIN. @ 450 MHz  
 -20.0dB MIN. @ 450 MHz RAMPING TO -15.0dB MIN. @ 650 MHz  
 -15.0dB MIN. @ 650 MHz TO -15.0dB MIN. @ 1 GHz  
 -15.0dB MIN. @ 1 GHz TO -12.5dB MIN. @ 1.3 GHz

RETURN LOSS (100:50): -3.0dB MIN. @ 1 MHz RAMPING TO -20.0dB MIN. @ 100 MHz  
 -20.0dB MIN. @ 100 MHz RAMPING TO -20.0dB MIN. @ 650 MHz  
 -20.0dB MIN. @ 650 MHz RAMPING TO -17.5dB MIN. @ 850 MHz  
 -17.5dB MIN. @ 850 MHz TO -17.5dB MIN. @ 1 GHz  
 -17.5dB MIN. @ 1 GHz RAMPING TO -15.0dB MIN. @ 1.3 GHz

RETURN LOSS (COMMON MODE): -15dB MIN. @ 1 MHz TO -27.5dB MIN. @ 10 MHz  
 -27.5dB MIN. @ 10 MHz TO -27.5dB MIN. @ 175 MHz  
 -27.5dB MIN. @ 175 MHz RAMPING TO -5.0dB MIN. @ 1.3 GHz

LONGITUDINAL BALANCE: -60dB MIN. @ 1 MHz TO -60dB MIN. @ 10 MHz  
 -60dB MIN. @ 10 MHz RAMPING TO -45dB MIN. @ 1 GHz  
 -45dB MIN. @ 1 GHz RAMPING TO -40dB MIN. @ 1.3 GHz

ISSUE	DATE	REVISION	BY
F	5-5-16	ADD HOLE DIMENSION	
E	10-1-13	ECR #9509 CHG HOLE PLACEMENT	BG
D	9-11-12	ECR #9369 REVISE ELECTRICALS	BG
C	10-19-10	REVISE ELECTRICALS	JDC
B	9-30-10	REVISE LABEL	JDC
A	12-3-09	CUSTOMER PRINT (Q11311)	BG


DESIGN PER:  
**BH CATALOG**

CUSTOM  NON-PROPRIETARY

DRAWN: KALANI SA  
 ENGR: B. GASS

UNLESS OTHERWISE SPECIFIED:  
 DIMENSIONS IN INCHES, TOLERANCES  
 NON-CUMULATIVE  
 .XX±.01 .XXX±.005

PAGE 2 OF 2



**BH ELECTRONICS, INC.**  
 BURNSVILLE & MARSHALL, MN

© 1998 BH Electronics

TITLE: **1.3 GHz TEST BALUN**

PART NO. **040-0229**