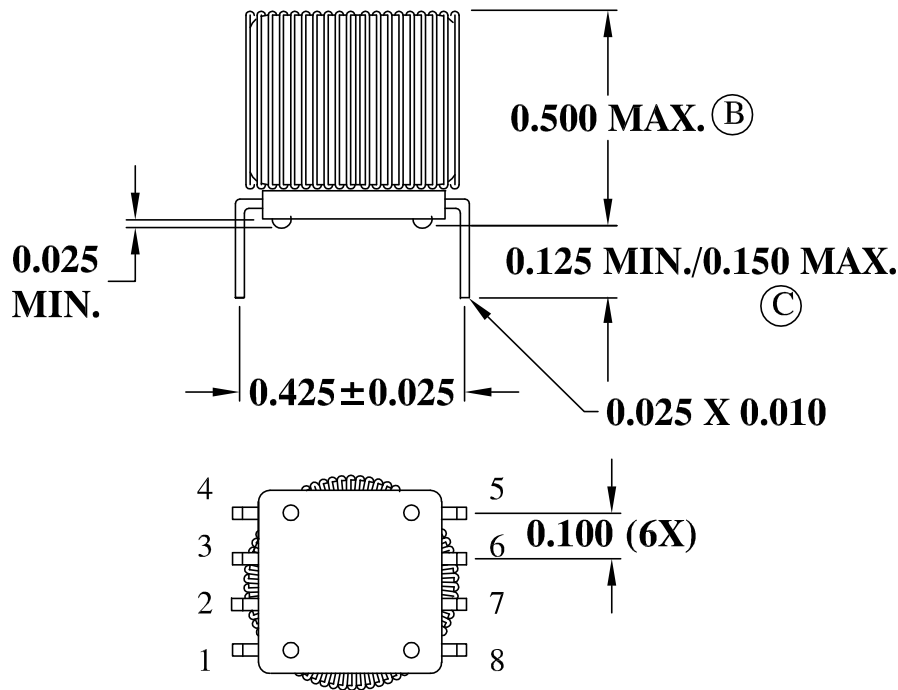
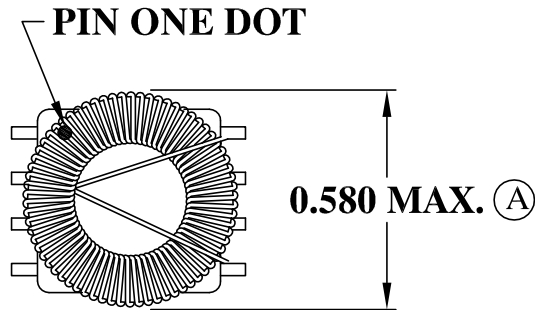
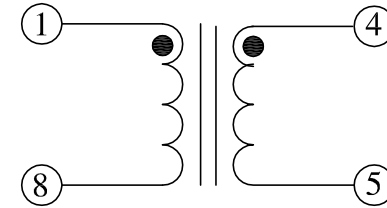


MECHANICAL



SCHEMATIC



ELECTRICAL SPECIFICATIONS


TURNS RATIO: 1:1

OPEN CIRCUIT INDUCTANCE: 11.25 TO 18.75mH
10 KHz 100mV

INTERWINDING CAPACITANCE: 260pF MAX. (1-4)
120 KHz 50mV

DC RESISTANCE: 2 OHMS MAX. (1-8, 4-5)

HIGH VOLTAGE TEST: 1000 VRMS FOR 1 SEC.

				DESIGN PER:	 BH ELECTRONICS, INC. BURNSVILLE & MARSHALL, MN © 1998 BH Electronics
G	2-13-12	NOW BH CATALOG	JDC	BH CATALOG	
F	9-20-01	ECR #5337 CHG LOC DRIVE LEVEL	JDC		
E	7-31-01	ADD DIM. TARGETS	JDC	DRAWN: K. LOFTUS	
D	10-25-96	ECR e2967 REMOVE 814-0253	JDC	ENGR: J. DECRAMER	
C	2-13-95	ECR #2223 UPDATE Ci		UNLESS OTHERWISE SPECIFIED: DIMENSIONS IN INCHES, TOLERANCES NON-CUMULATIVE .XX±.01 .XXX±.005	TITLE: COMMON MODE CHOKE
B	7-1-92	ADD ELECTRICAL SPECS.	TAC		PART NO. 500-1266
A	3-10-92	CUSTOMER PRINT	LB		
ISSUE	DATE	REVISION	BY	PAGE 1 OF 1	