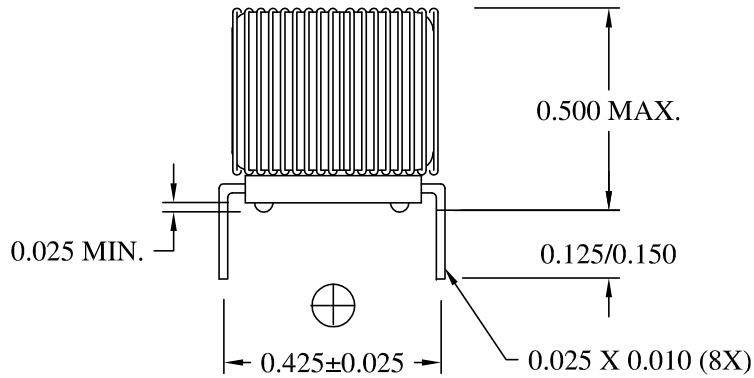
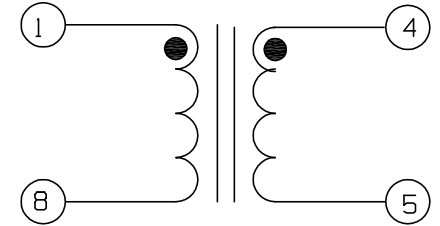
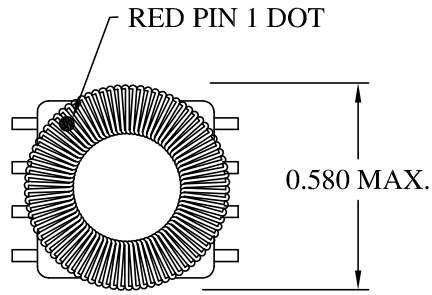


MECHANICAL

SCHEMATIC



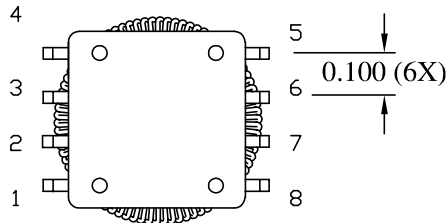
ELECTRICAL SPECIFICATIONS

URNS RATIO: 1:1

SINE WAVE 125mH @ 100 KHz

INTERWINDING CAPACITANCE: 150pF MAX.

DC RESISTANCE: 0.5 OHMS MAX.



DESIGN PER:

BH CATALOG

CUSTOM

NON-PROPRIETARY

DRAWN: K. LOFTUS

ENGR: J. DECRAMER

UNLESS OTHERWISE SPECIFIED:
DIMENSIONS IN INCHES, TOLERANCES
NON-CUMULATIVE
.XX±.01 .XXX±.005



BH ELECTRONICS, INC.
BURNSVILLE & MARSHALL, MN

© 1998 BH Electronics

TITLE: **COMMON MODE
CHOKE**

PART NO. **500-1267**

ISSUE	DATE	REVISION	BY
C	2-13-12	NOW BH CATALOG	JDC
B	10-2-96	ECR #2932 RED DOT PIN 1	JDC
A	3-10-92	CUSTOMER PRINT	JDC