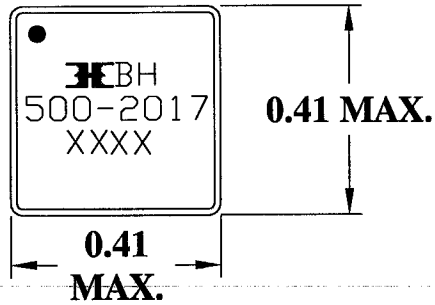
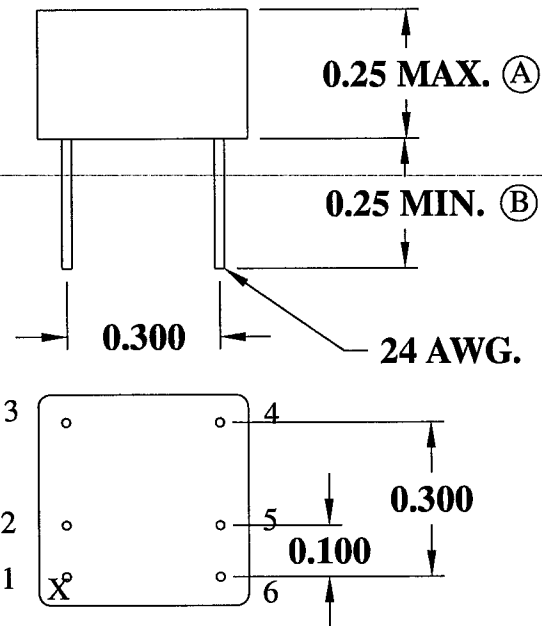
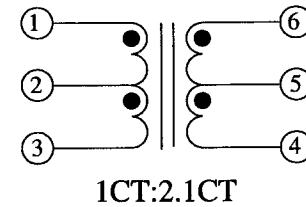


MECHANICAL



SCHEMATIC



ELECTRICAL SPECIFICATIONS

URNS RATIO: 1CT:2.1CT


OPEN CIRCUIT INDUCTANCE: 400uH MIN. (1-3) 100 KHz 20mV

DC RESISTANCE: (1-3) 1 OHMS MAX. (6-4) 1.7 OHMS MAX.

HIGH VOLTAGE TEST: 1500 VRMS FOR 1 SEC.

ET CONSTANT: 18.3 Vu SEC. MIN.

NOTE: "X" ON BOTTOM OF CASE INDICATES PIN 1.

				DESIGN PER:	 <b>BH ELECTRONICS, INC.</b> BURNSVILLE & MARSHALL, MN © 1998 BH Electronics
				<b>BH CATALOG</b>	
				DRAWN: K. LOFTUS ENGR: B. MARKS	
C	6-20-01	ADD PIN 1 DOT		UNLESS OTHERWISE SPECIFIED: DIMENSIONS IN INCHES, TOLERANCES NON-CUMULATIVE .XX±.01 .XXX±.005 PAGE 1 OF 1	TITLE:
B	12-5-00	UPDATE TO CAD	BM		<b>ISOLATION TRANSFORMER</b>
A	7-25-95	CUSTOMER PRINT	BM		PART NO.
ISSUE	DATE	REVISION	BY		<b>500-2017</b>