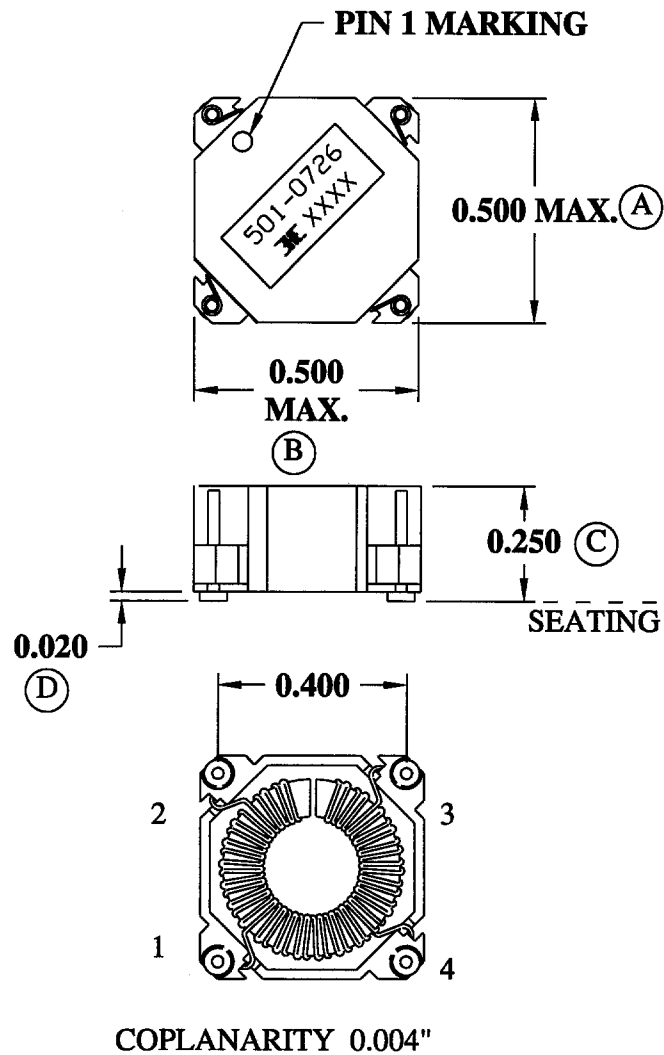
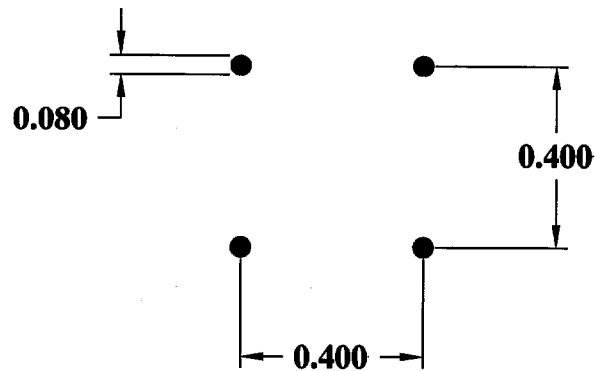


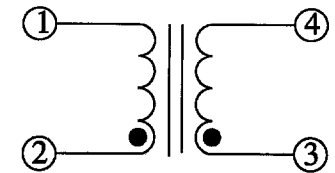
MECHANICAL



RECOMMENDED PCB LAYOUT



SCHEMATIC



ELECTRICAL SPECIFICATIONS

TURNS RATIO: 1:1

OPEN CIRCUIT INDUCTANCE: 7.72uH - 11.58uH @ 0 ADC (1-2) 10 KHz 100mV
 7.72uH TYP. @ 4.45 ADC (1-2) 10 KHz 100mV
 OR 6.8uH TYP. @ 5.0 (1-2) 10 KHz 100mV

DC RESISTANCE: 0.04 OHMS MAX. (1-2) (3-4)

IR: 100 VDC (1-4) 1K MEGOHMS MIN.

ISSUE	DATE	REVISION (Q9808-1)	BY
R	1-22-03	ECR #5710 REVISE ELECTRICALS	JDC
Q	12-4-00	ECR #4913 UPDATE TO CAD	JDC
P	2-16-00	ECR #4585	JDC
N	2-8-00	ADD DIM. TARGETS ADD PAGE 2	JDC
M	12-6-99	CLARIFY LOC AND DC BIAS	JDC
L	5-21-99	FOOTPRINT TO RECOMMENDED	JDC
K	12-18-98	ECR #4041 LOC 10.615uH MAX.	JDC
J	11-9-98	ECR #3990 SCHEMATIC	JDC

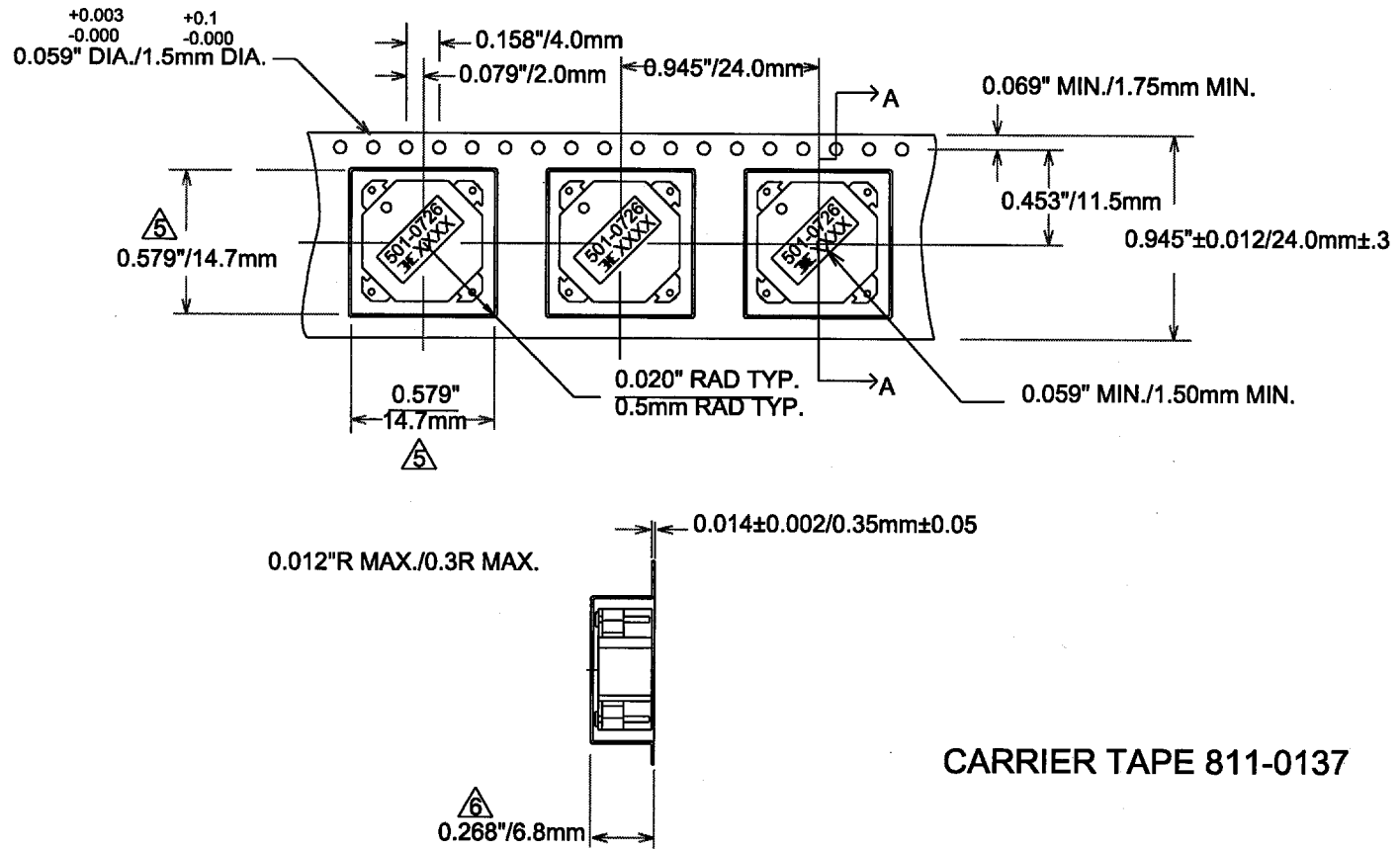
DESIGN PER:	LINEAR TECH
DRAWN: K. LOFTUS	
ENGR: J. DECRAMER	
UNLESS OTHERWISE SPECIFIED: DIMENSIONS IN INCHES, TOLERANCES NON-CUMULATIVE .XX±.01 .XXX±.005	
PAGE 1 OF 2	

BE® BH ELECTRONICS, INC.
 BURNSVILLE & MARSHALL, MN

© 1998 BH Electronics


TITLE: **TRANSFORMER**

PART NO. **501-0726**



CARRIER TAPE 811-0137

SECTION A-A

R	1-22-03	ECR #5710 REVISE ELECTRICALS	JDC	DESIGN PER: LINEAR TECH	 BH ELECTRONICS, INC. BURNSVILLE & MARSHALL, MN © 1998 BH Electronics
Q	12-4-00	ECR #4913 UDATE TO CAD	JDC		
P	2-16-00	ECR #4585	JDC	DRAWN: K. LOFTUS	TITLE: TRANSFORMER
N	2-8-00	ADD DIM. TARGETS ADD PAGE 2	JDC	ENGR: J. DECRAMER	
M	12-6-99	CLARIFY LOC AND DC BIAS	JDC	UNLESS OTHERWISE SPECIFIED: DIMENSIONS IN INCHES, TOLERANCES NON-CUMULATIVE .XX±.01 .XXX±.005 PAGE 2 OF 2	PART NO. 501-0726
L	5-21-99	FOOTPRINT TO RECOMMENDED	JDC		
K	12-18-98	ECR #4041 LOC 10.615uH MAX.	JDC		
J	11-9-98	ECR #3990 SCHEMATIC	JDC		
ISSUE	DATE	REVISION (Q9808-1)	BY		