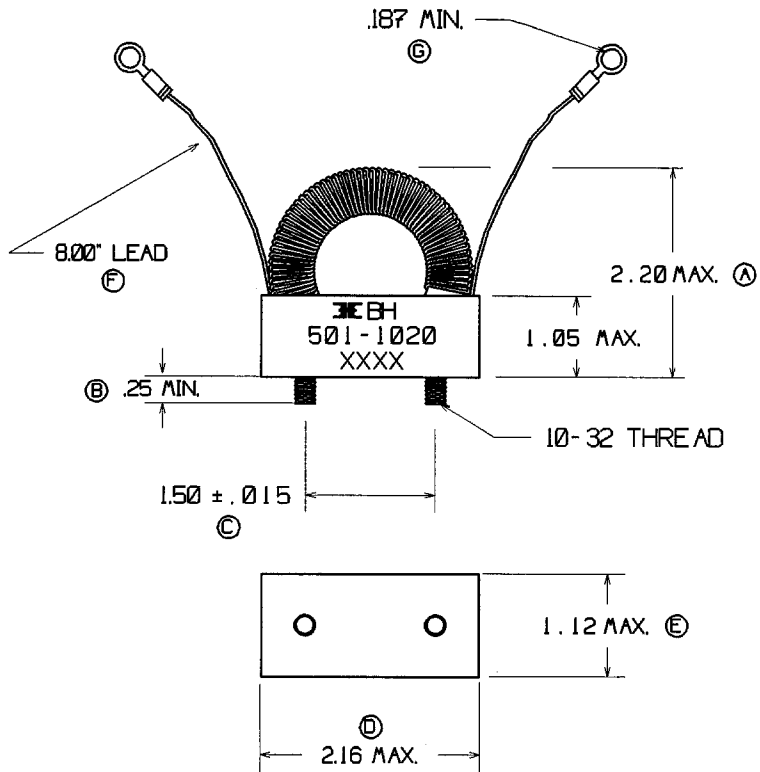
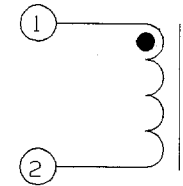


MECHANICAL




SCHEMATIC



ELECTRICAL SPECIFICATIONS

OPEN CIRCUIT INDUCTANCE: 4.5μH MIN. @ 50 ADC  
9μH MIN. @ 0 ADC

			DESIGNED PER:	 <b>BH ELECTRONICS, INC.</b> BURNSVILLE & MARSHALL, MN ©1998 BH Electronics
			BH CATALOG	
			DRAWN: K. LOFTUS	
			ENGR. J. DECRAMER	TITLE
			UNLESS OTHERWISE SPECIFIED: DIMENSIONS IN INCHES. TOLERANCES NON-CUMULATIVE.	TRANSFORMER, POWER
A	5-15-00	CUSTOMER PRINT	.XX ± .01 .XXX ± .005	PART NO.
ISSUE	DATE	REVISIONS	SCALE 1:	501-1020
			SHEET 1 / 1	