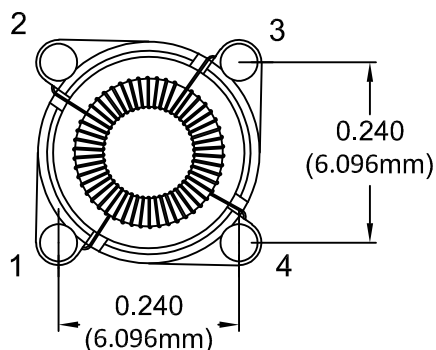
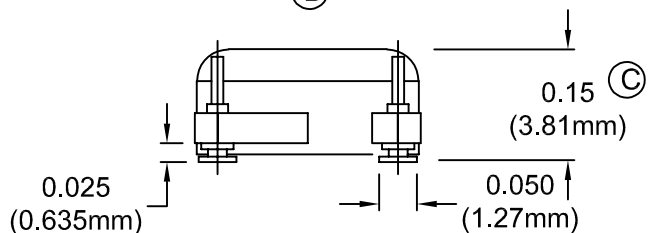
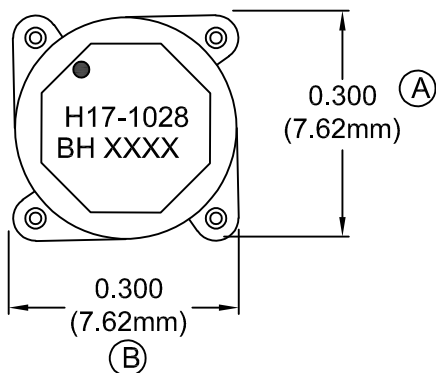


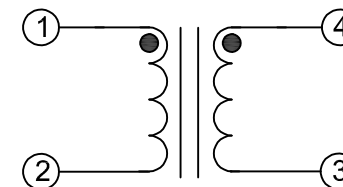
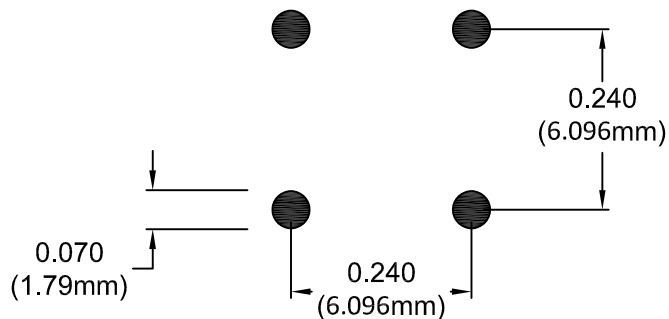
MECHANICAL

SUGGESTED PAD LAYOUT

SCHEMATIC



COPLANARITY 0.004 MAX.



ELECTRICAL SPECIFICATIONS

TURNS RATIO: 1 : 1

OPEN CIRCUIT INDUCTANCE: 37.91  $\mu\text{H} \pm 10\%$  @ 0 ADC (1, 4 - 2, 3)  
10 KHz 20mV

DC BIAS: 24.64  $\mu\text{H}$  TYP. @ 1.15 ADC (1, 4 - 2, 3)  
10 KHz 20mV

DC RESISTANCE: 0.517 OHMS MAX. (1, 4 - 2, 3)

IR: 1K MEGOHMS MIN. @ 100 VDC (1-4)

PRIMARY LEAKAGE: 0.36  $\mu\text{H}$  NOM (1-2 SH 3,4)  
120 KHz 50mV

DESIGN PER:

BH CATALOG

CUSTOM  NON-PROPRIETARY

DRAWN: KALANI SA

ENGR: NATE DOOSE

UNLESS OTHERWISE SPECIFIED:  
DIMENSIONS IN INCHES, TOLERANCES  
NON-CUMULATIVE  
.XX $\pm$ .01 .XXX $\pm$ .005

PAGE 1 OF 1



BH ELECTRONICS, INC.  
BURNSVILLE & MARSHALL, MN

© 1998 BH Electronics

TITLE:

INDUCTOR

PART NO.

H17-1028

A	7-9-19	CUSTOMER PRINT	<i>nss</i>
---	--------	----------------	------------

ISSUE	DATE	REVISION	BY
-------	------	----------	----