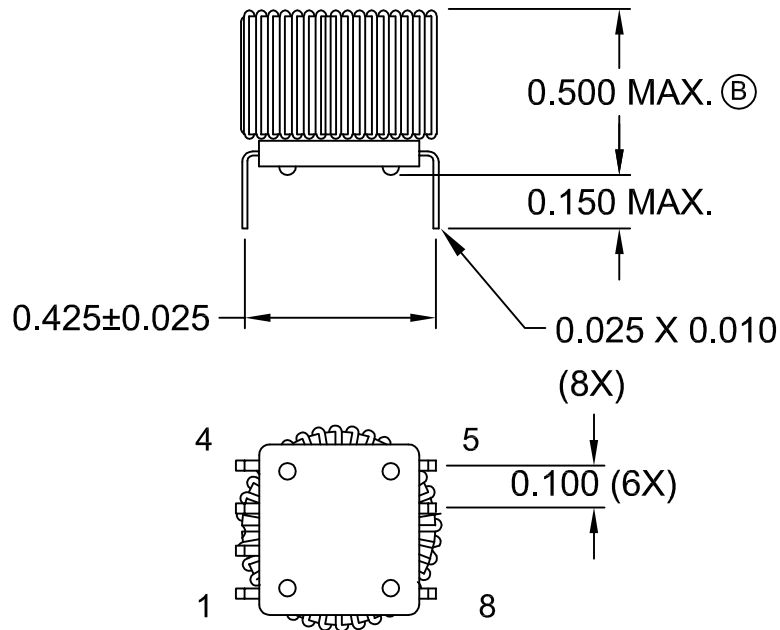
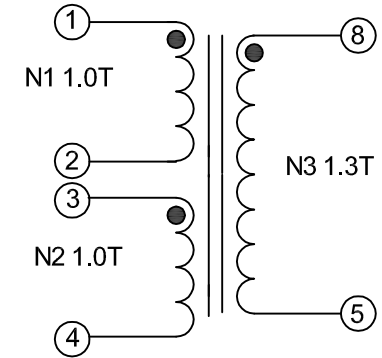
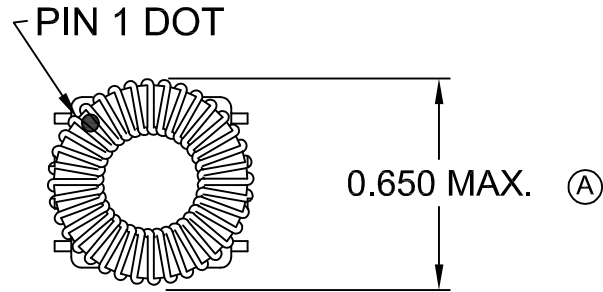


MECHANICAL

SCHEMATIC



ELECTRICAL SPECIFICATIONS

URNS RATIO: 1:1:1.3

OPEN CIRCUIT INDUCTANCE: 1mH MIN. (1-4 SH 2-3) 1 KHz 100mV

PRIMARY LEAKAGE INDUCTANCE: 1.0μH NOM. (1-4 SH 2, 3 SH 5, 8)

INTERWINDING CAPACITANCE: 90pF NOM. (1, 4 - 8, 5 SH 2, 3)

DC RESISTANCE: 0.150 OHMS NOM. (1-4 SH 2, 3)

0.093 OHMS NOM. (8-5)

HIGH VOLTAGE TEST: 3000 VAC / 60 SEC. (1-5 SH 2, 3)

250 VAC / 1 SEC. (1-4)

ET CONSTANT: 100 Vμ SEC. MIN. (BIPOLAR 10 Vp-p) (1-4 SH 2, 3)

DESIGN PER:

CATALOG

DRAWN: KALANI SA

ENGR: J. DECRAMER

UNLESS OTHERWISE SPECIFIED:  
DIMENSIONS IN INCHES, TOLERANCES  
NON-CUMULATIVE  
.XX±.01 .XXX±.005

PAGE 1 OF 1



BH ELECTRONICS, INC.  
BURNSVILLE & MARSHALL, MN

© 1998 BH Electronics

TITLE:

TRANSFORMER

PART NO.

L00-2582

A	7-13-15	CUSTOMER PRINT	JDC
---	---------	----------------	-----

ISSUE	DATE	REVISION	BY
-------	------	----------	----