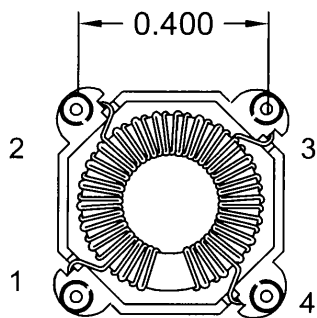
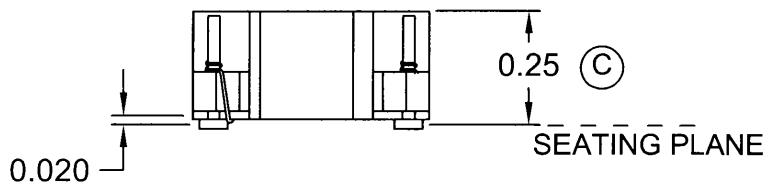
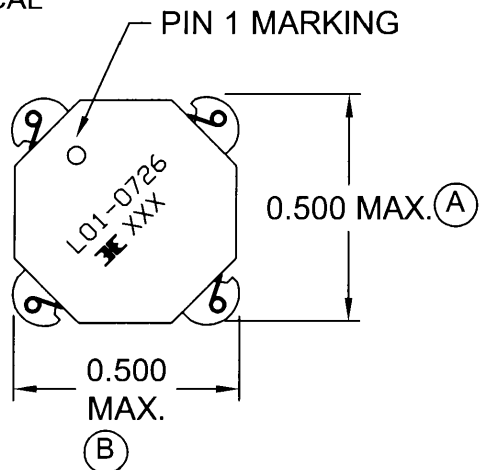
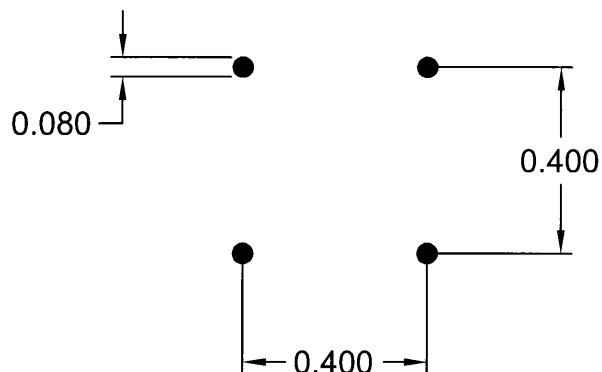


MECHANICAL

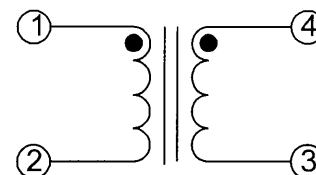


COPLANARITY 0.004"

RECOMMENDED PCB LAYOUT



SCHEMATIC



ELECTRICAL SPECIFICATIONS


TURNS RATIO: 1:1

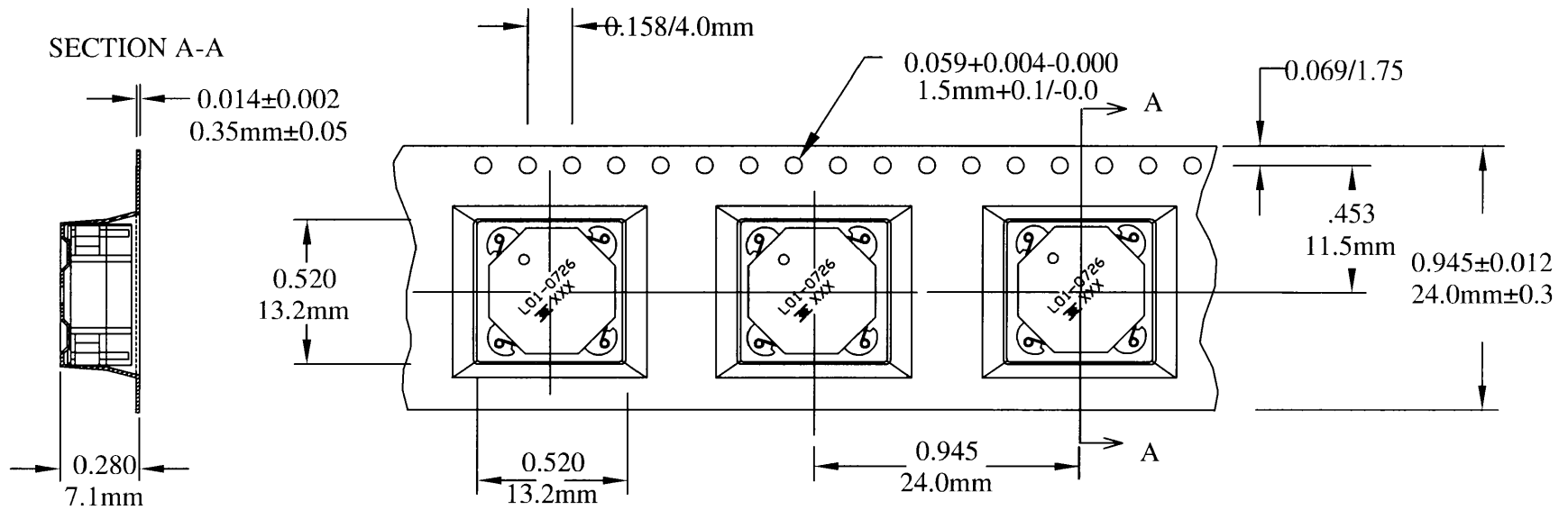
OPEN CIRCUIT INDUCTANCE: 7.72uH - 11.58uH @ 0 ADC (1-2) 10 KHz 100mV  
 7.72uH TYP. @ 4.45 ADC (1, 4 - 2, 3) 10 KHz 100mV  
 OR 6.8uH TYP. @ 5.0 (1, 4 - 2, 3) 10 KHz 100mV

DC RESISTANCE: 0.04 OHMS MAX. (1-2) (3-4)


IR: 100 VDC (1-4) 1K MEGOHMS MIN.

RoHS Compliant

				DESIGN PER:	CATALOG		 BH ELECTRONICS, INC. BURNSVILLE & MARSHALL, MN © 1998 BH Electronics
				CUSTOM	NON-PROPRIETARY	<input checked="" type="checkbox"/>	
E	1-11-07	SHOW 810-0471 CASE	JDC	DRAWN:	K. LOFTUS		TITLE: TRANSFORMER
D	10-26-06	UPDATE SCHEMATIC	JDC	ENGR:	J. DECRAMER		
C	5-1-06	CHANGE TO CATALOG	JDC	UNLESS OTHERWISE SPECIFIED: DIMENSIONS IN INCHES, TOLERANCES NON-CUMULATIVE .XX±.01 .XXX±.005			PART NO. L01-0726
B	9-13-05	ADD RoHS COMPLIANT	JDC				
A	5-19-05	CUSTOMER PRINT	JDC				
ISSUE	DATE	REVISION	BY	PAGE 1 OF 2			



CARRIER TAPE 811-0137

				DESIGN PER:	CATALOG	 BH ELECTRONICS, INC. BURNSVILLE & MARSHALL, MN © 1998 BH Electronics
				<input type="checkbox"/> CUSTOM	<input type="checkbox"/> NON-PROPRIETARY	
E	1-11-07	SHOW 810-0471 CASE		DRAWN:	K. LOFTUS	TITLE: TRANSFORMER  PART NO. L01-0726
D	6-26-06	UPDATE SCHEMATIC	JDC	ENGR:	J. DECRAMER	
C	5-1-06	CHANGE TO CATALOG	JDC	UNLESS OTHERWISE SPECIFIED: DIMENSIONS IN INCHES, TOLERANCES NON-CUMULATIVE .XX±.01 .XXX±.005		
B	9-13-05	ADD RoHS COMPLIANT	JDC			
A	5-19-05	CUSTOMER PRINT	JDC	PAGE 2 OF 2		
ISSUE	DATE	REVISION	BY			