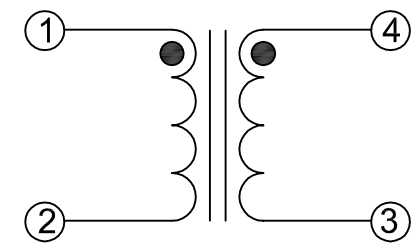
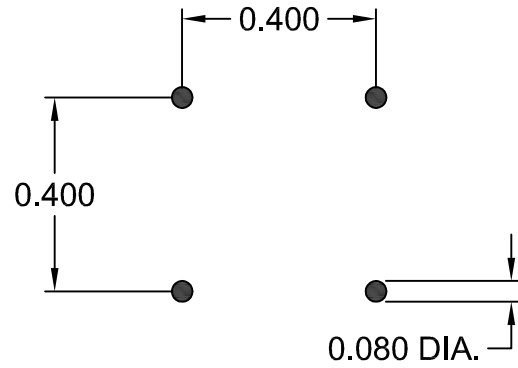
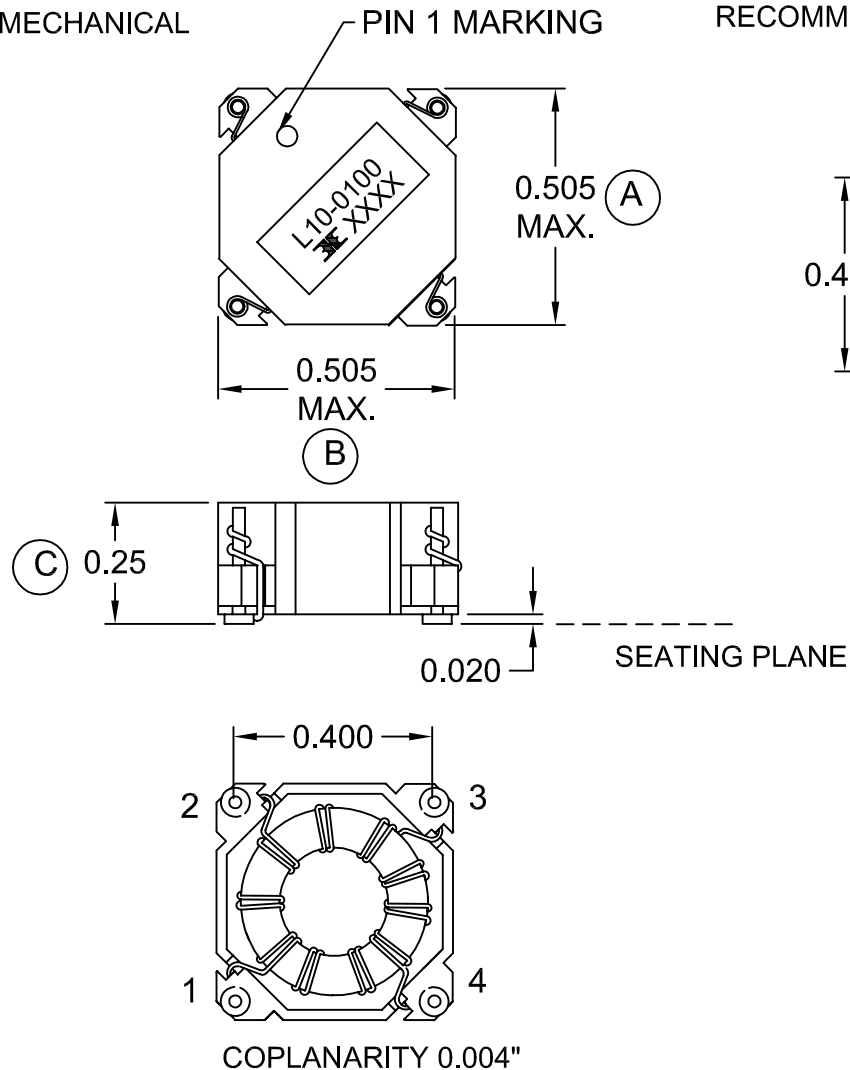


MECHANICAL

RECOMMENDED PC BOARD LAYOUT


SCHEMATIC

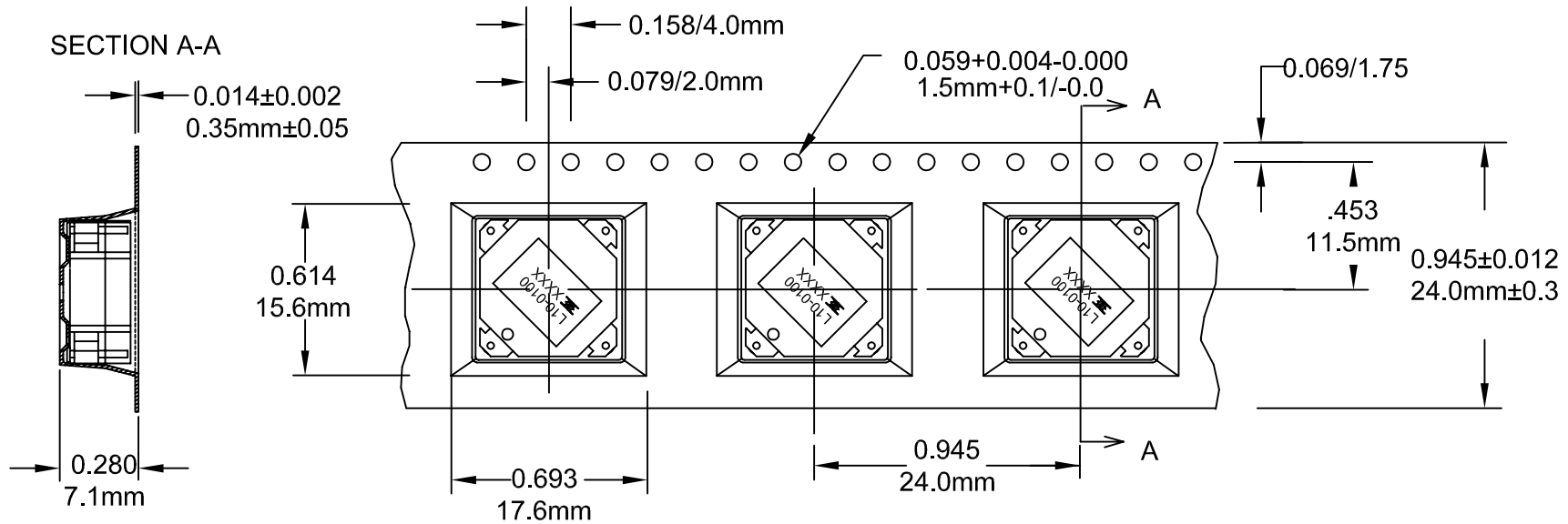


ELECTRICAL SPECIFICATIONS

- URNS RATIO: 1:1
- OPEN CIRCUIT INDUCTANCE: 9 μ H NOM. (1, 4 - 2, 3)
10 KHz 100mV
- DC RESISTANCE: 0.004 OHMS NOM. (1, 4 - 2, 3)
- IR: 1K MEGOHMS MIN. @ 500 VDC (1-4)
- IMPEDANCE: 1 MHz - 40 OHMS MIN.
10 MHz - 250 OHMS MIN.
100 MHz - 600 OHMS MIN.
- CURRENT RATING: 7.9A

RoHS COMPLIANT

				DESIGNED PER:	 (R) BH Electronics, Inc. Burnsville & Marshall, MN (C) 1998 BH Electronics	
				BH CATALOG		
				CUSTOM	NON-PROPRIETARY	X
				DRAWN	KALANI SA	
				ENGR.	J. DECRAMER	
				UNLESS OTHERWISE SPECIFIED: DIMENSIONS IN INCHES, TOLERANCES NON-CUMULATIVE.		
A	1-17-08	CUSTOMER PRINT	JDC	TITLE: COMMON MODE CHOKE		
ISSUE	DATE	REVISION	BY	PART NO. L10-0100		
				PAGE 1 OF 2		



CARRIER TAPE 811-0137

DESIGNED PER:

BH CATALOG

CUSTOM NON-PROPRIETARY

DRAWN KALANI SA

ENGR. J. DECRAMER

UNLESS OTHERWISE SPECIFIED:
DIMENSIONS IN INCHES, TOLERANCES
NON-CUMULATIVE.

.XX±.01 .XXX±.005

PAGE 2 OF 2



® BH Electronics, Inc.
Burnsville & Marshall, MN

© 1998 BH Electronics

TITLE:

COMMON MODE CHOKE

PART NO.

L10-0100

A	1-17-08	CUSTOMER PRINT	JDC
ISSUE	DATE	REVISION	BY