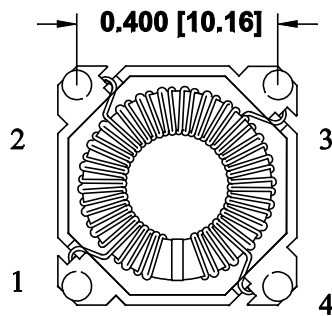
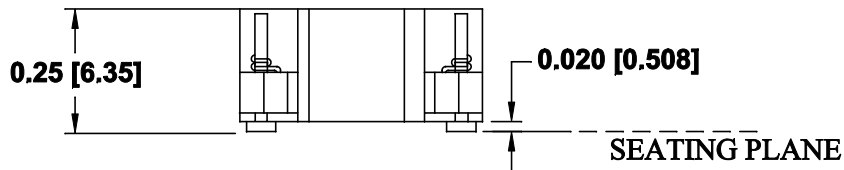
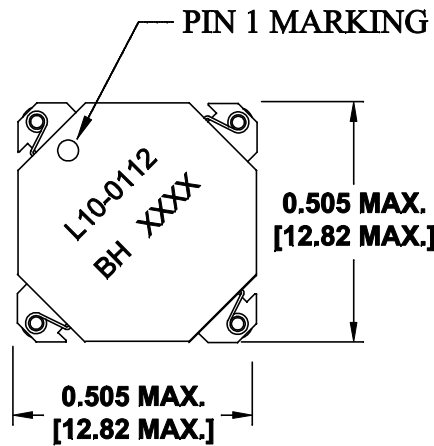
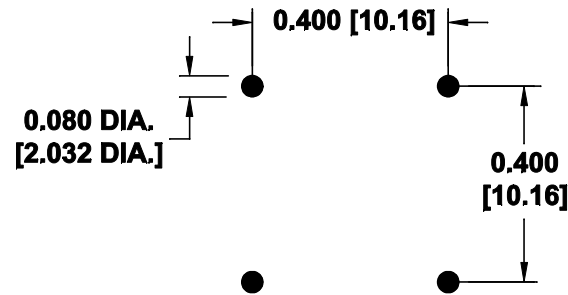


**MECHANICAL**

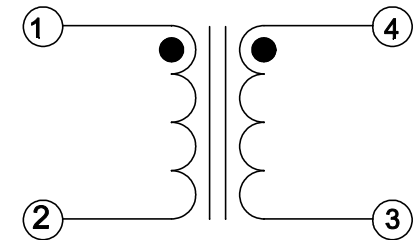


COPLANARITY 0.004" [0.1016]

**RECOMMENDED PC BOARD LAYOUT**



**SCHEMATIC**



**ELECTRICAL SPECIFICATIONS**

URNS RATIO: 4:1

OPEN CIRCUIT INDUTANCE: 230uH ±20% @ 0 ADC (1-2)

183μH TYP. @ 0.91 ADC (1-2)

10 KHz 100mV


DC RESISTANCE: 1.45 OHMS NOM. (1-2)

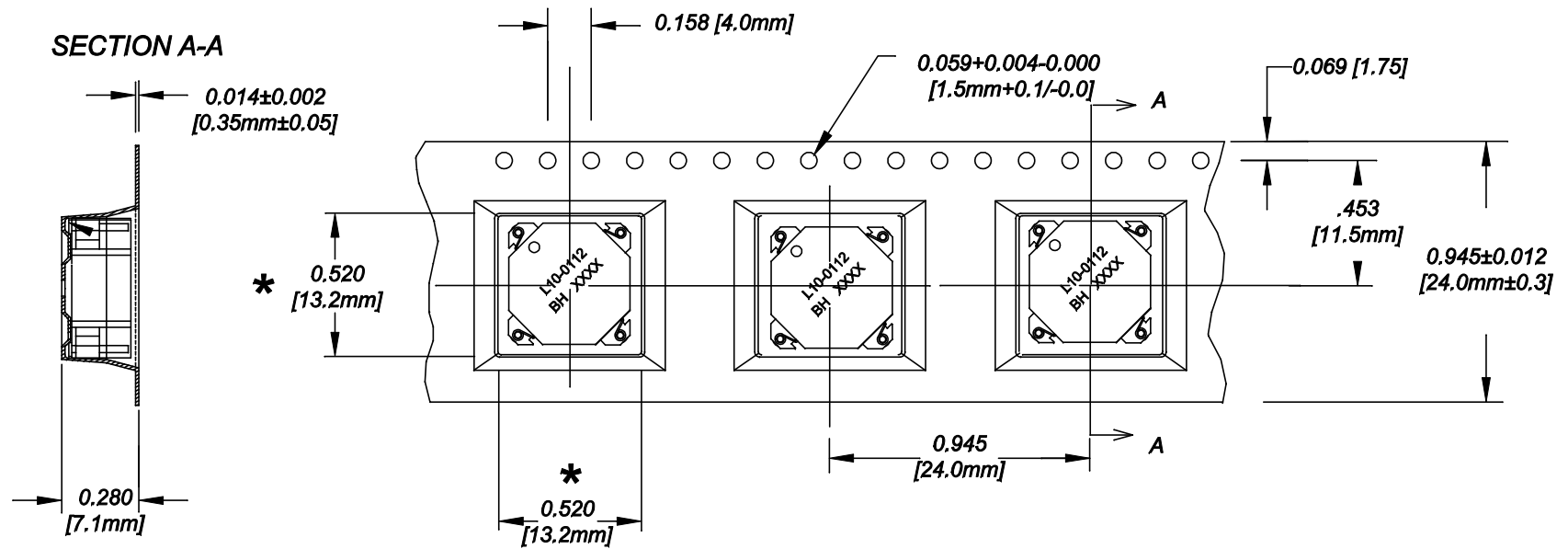
0.126 OHMS NOM. (4-3)

PRIMARY LEAKAGE INDUCTANCE: 3.38μH NOM. (1-2 SH 3, 4)


HIGH VOLTAGE TEST: 1500 VAC (1-4)

**RoHS Compliant**

|       |         |                       |     |  |  |
|-------|---------|-----------------------|-----|--|--|
|       |         |                       |     | DESIGNED PER:<br><b>BH CATALOG</b>   |  ® BH Electronics, Inc.<br>Burnsville & Marshall, MN<br>© 1998 BH Electronics |
|       |         |                       |     | <input type="checkbox"/> CUSTOM <input checked="" type="checkbox"/> NON-PROPRIETARY                                    |  |
|       |         |                       |     | DRAWN Kathy Loftus   |  |
|       |         |                       |     | ENGR. J. DECRAMER  |  |
| C     | 8-16-13 | REVISE LABEL          | JDC | UNLESS OTHERWISE SPECIFIED:<br>DIMENSIONS IN INCHES, TOLERANCES<br>NON-CUMULATIVE.<br>.XX±.01 .XXX±.005<br>PAGE 1 OF 2 | TITLE: <b>QTR PAK™</b><br>(Switching Regulator)  |
| B     | 8-9-11  | Q12786-2 NOW L10-0112 | JDC |  | PART NO. <b>L10-0112</b>   |
| A     | 4-11-11 | CUSTOMER PRINT        | JDC |  |  |
| ISSUE | DATE    | REVISION              | BY  |  |  |
|       |         |                       |     |  |  |



**CARRIER TAPE 811-0137**

|       |         |                       |     |  |  |
|-------|---------|-----------------------|-----|--|--|
|       |         |                       |     | DESIGNED PER:<br><b>BH CATALOG</b>   |  ® BH Electronics, Inc.<br>Burnsville & Marshall, MN<br>© 1998 BH Electronics |
|       |         |                       |     | <input type="checkbox"/> CUSTOM <input checked="" type="checkbox"/> NON-PROPRIETARY                                    |  |
|       |         |                       |     | DRAWN Kathy Loftus   |  |
|       |         |                       |     | ENGR. J. DECRAMER  |  |
| C     | 2-5-13  | REVISE LABEL          | JDC | UNLESS OTHERWISE SPECIFIED:<br>DIMENSIONS IN INCHES, TOLERANCES<br>NON-CUMULATIVE.<br>.XX±.01 .XXX±.005<br>PAGE 2 OF 2 | TITLE: <b>QTR PAK™</b><br>(Switching Regulator)  |
| B     | 8-9-11  | Q12786-2 NOW L10-0112 | JDC |  | PART NO. <b>L10-0112</b>   |
| A     | 4-11-11 | CUSTOMER PRINT        | JDC |  |  |
| ISSUE | DATE    | REVISION              | BY  |  |  |
|       |         |                       |     |  |  |