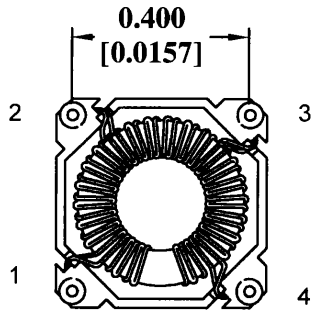
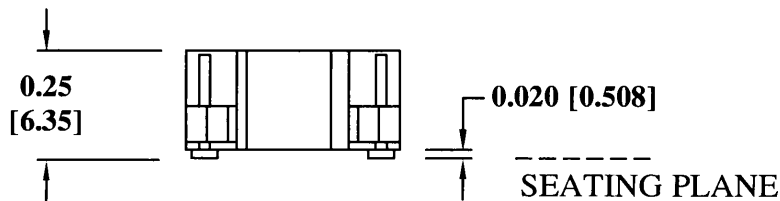
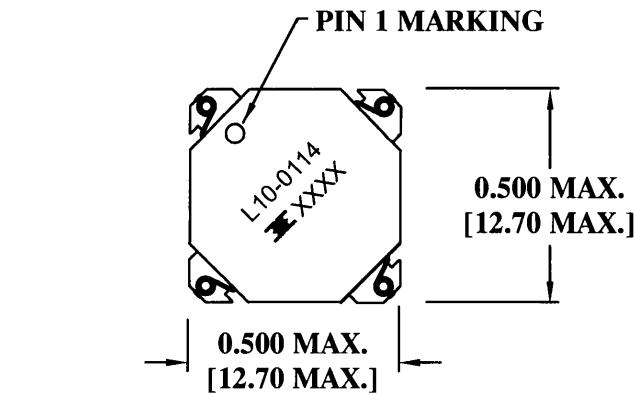
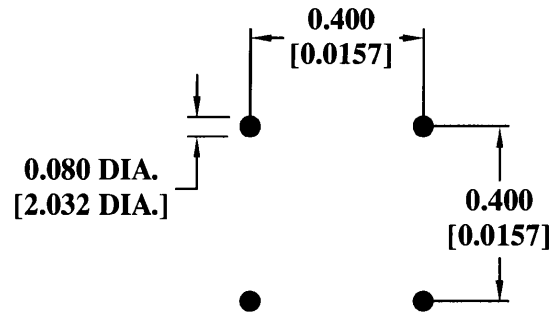


MECHANICAL

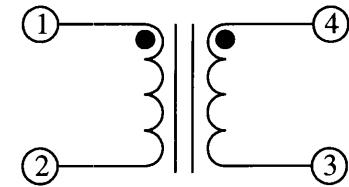


COPLANARITY 0.004" [0.1016]

RECOMMENDED PC BOARD LAYOUT



SCHEMATIC



ELECTRICAL SPECIFICATIONS

TURNS RATIO: 1:4

OPEN CIRCUIT INDUCTANCE: 200.0μH ±20% @ 0 ADC (1-2)

10 KHz 100mV

DC BIAS: 160.0μH TYP. @ 1.0 ADC (1-2) 10 KHz 100mV


DC RESISTANCE: 0.96 OHMS NOM. (1-2)

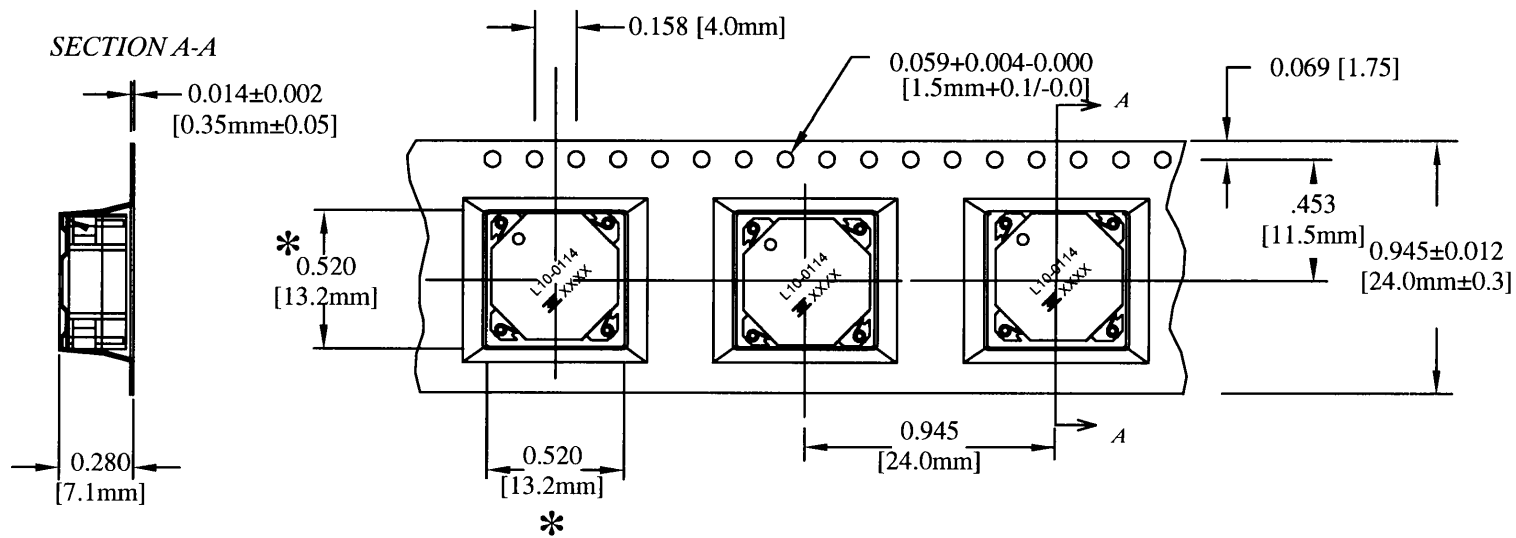
17.73 OHMS NOM. (4-3)

HIGH VOLTAGE TEST: 1000 VAC (1-4)


PRIMARY LEAKAGE INDUCTANCE: 1.27μH NOM. (1-2) (SH 4, 3) 120 KHz 50mV

RoHS Compliant

				DESIGN PER:	BH CATALOG	 BH ELECTRONICS, INC. BURNSVILLE & MARSHALL, MN © 1998 BH Electronics
				<input checked="" type="checkbox"/> CUSTOM	<input type="checkbox"/> NON-PROPRIETARY	
				DRAWN:	K. LOFTUS	
				ENGR:	J. DECRAMER	
B	8-9-11	Q12786-5 NOW L10-0114		UNLESS OTHERWISE SPECIFIED: DIMENSIONS IN INCHES, TOLERANCES NON-CUMULATIVE .XX±.01 .XXX±.005		TITLE:
A	4-29-11	CUSTOMER PRINT	JDC			(Switching Regulator)
ISSUE	DATE	REVISION	BY			PART NO.
						L10-0114



CARRIER TAPE 811-0137

				DESIGN PER:	BH CATALOG	 BH ELECTRONICS, INC. BURNSVILLE & MARSHALL, MN © 1998 BH Electronics
				<input checked="" type="checkbox"/> CUSTOM	<input type="checkbox"/> NON-PROPRIETARY	
				DRAWN:	K. LOFTUS	
				ENGR:	J. DECRAMER	
B	8-9-11	Q12786-5 NOW L10-0114		UNLESS OTHERWISE SPECIFIED: DIMENSIONS IN INCHES, TOLERANCES NON-CUMULATIVE .XX±.01 .XXX±.005		TITLE:
A	4-29-11	CUSTOMER PRINT	JDC			(Switching Regulator)
ISSUE	DATE	REVISION	BY			PART NO.
				PAGE 2 OF 2	L10-0114	