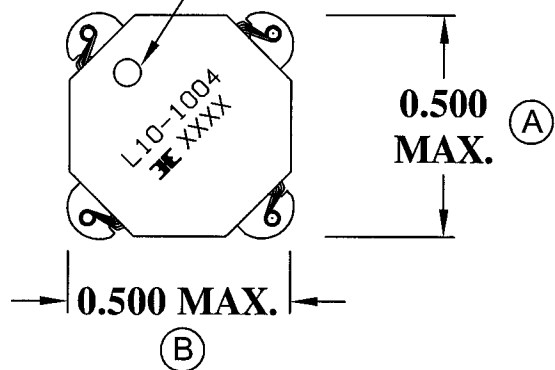
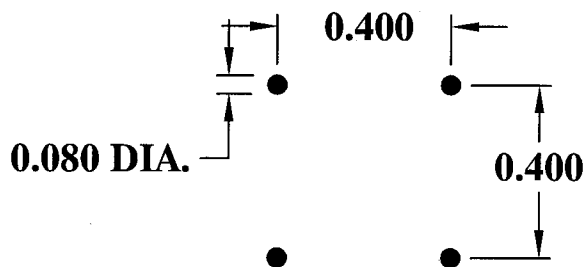


MECHANICAL

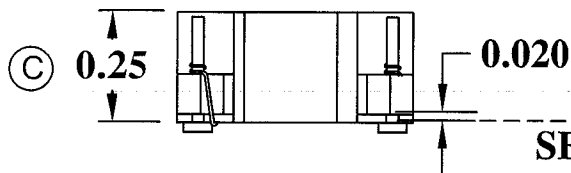
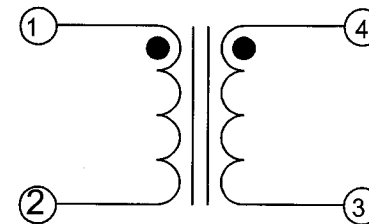
PIN 1 MARKING



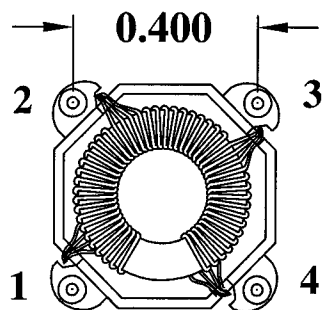
RECOMMENDED PC BOARD LAYOUT



SCHEMATIC



SEATING PLANE




ELECTRICAL SPECIFICATIONS

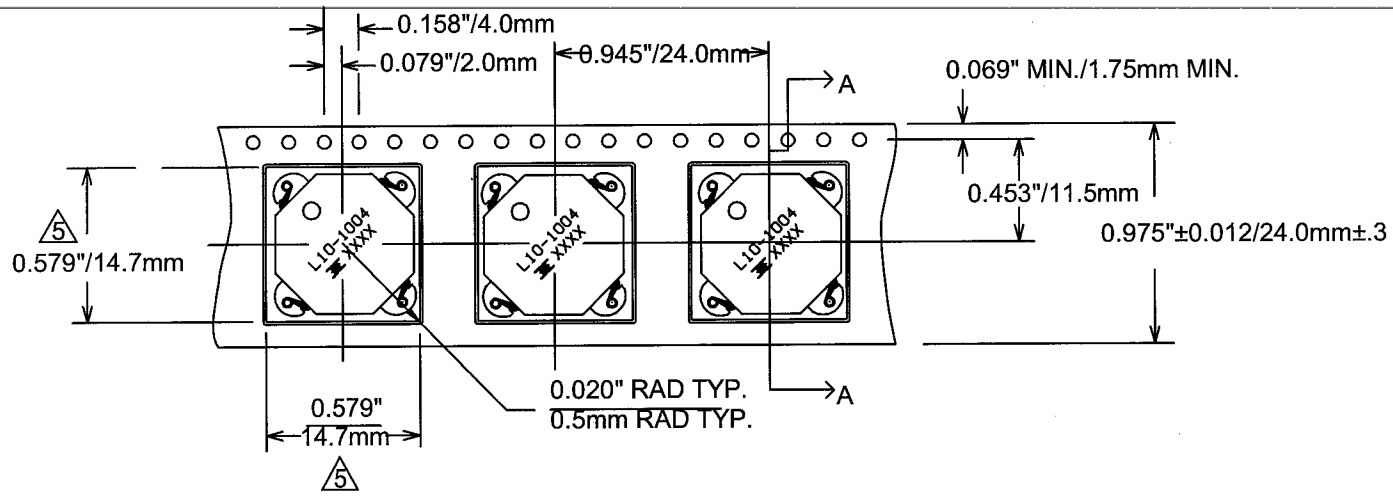
OPEN CIRCUIT INDUCTANCE: 1.36uH±20% @ 0 ADC 10 KHz 100mV (1-2)
1.09uH TYP. @ 11.87 ADC 10 KHz 100mV

DC RESISTANCE: 0.0051 OHMS NOM. (1-2) (4-3)

IR: 1K MEGOHMS MIN. @ 100 VDC (1-4)

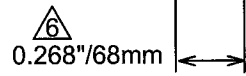
△ COPLANARITY TM0070

				DESIGNED PER:	 (R) BH Electronics, Inc. Burnsville & Marshall, MN © 1998 BH Electronics
				BH CATALOG	
				CUSTOM <input type="checkbox"/> NON-PROPRIETARY <input checked="" type="checkbox"/>	
				DRAWN Kathy Loftus	
				ENGR. J. DECRAMER	
A	11-2-05	CUSTOMER PRINT	<i>Jo</i>	UNLESS OTHERWISE SPECIFIED: DIMENSIONS IN INCHES, TOLERANCES NON-CUMULATIVE. .XX±.01 .XXX±.005	TITLE: QTR PAK™ (Switching Regulator)
ISSUE	DATE	REVISION	BY	PAGE 1 OF 2	PART NO. L10-1004



0.012"R MAX./0.3R MAX.


0.014±0.002/0.35mm±0.05



0.268"/68mm

CARRIER TAPE 811-0137

SECTION A-A

				DESIGNED PER: BH CATALOG	 ® BH Electronics, Inc. Burnsville & Marshall, MN
				CUSTOM NON-PROPRIETARY <input checked="" type="checkbox"/>	
				DRAWN Kathy Loftus	© 1998 BH Electronics
				ENGR. J. DECRAMER	TITLE: QTR PAK™ (Switching Regulator)
				UNLESS OTHERWISE SPECIFIED: DIMENSIONS IN INCHES, TOLERANCES NON-CUMULATIVE.	PART NO. L10-1004
A	11-2-05	CUSTOMER PRINT	<i>Jee</i>	.XX±.01 .XXX±.005	
ISSUE	DATE	REVISION	BY	PAGE 2 OF 2	