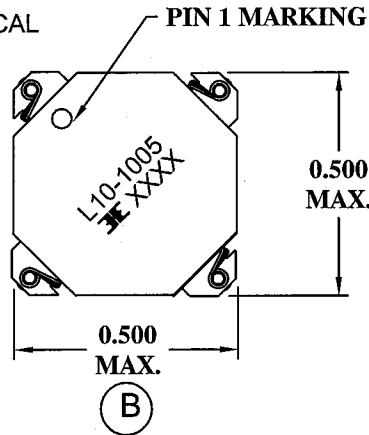
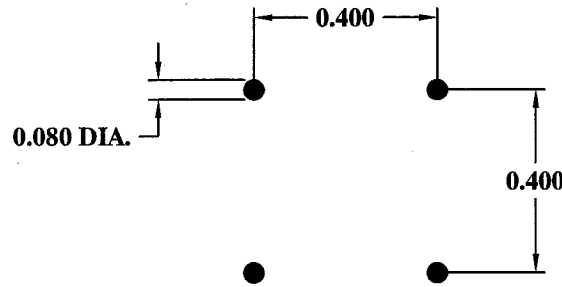


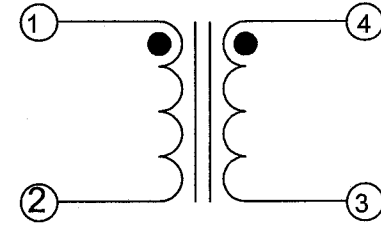
MECHANICAL



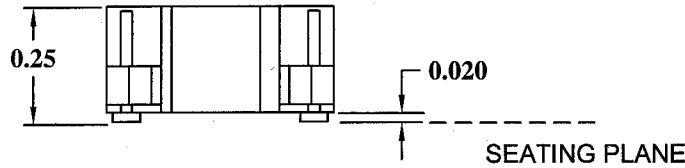
RECOMMENDED PC BOARD LAYOUT



SCHEMATIC



(C)



ELECTRICAL SPECIFICATIONS

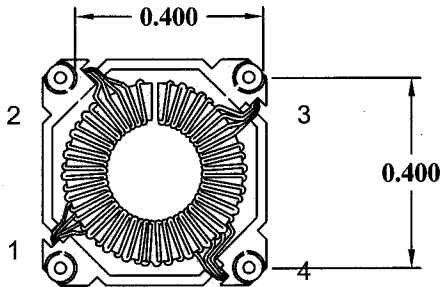
URNS RATIO: 1:1

OPEN CIRCUIT INDUCTANCE: 1.85μH±20% @ 0 ADC (1-2)  
1.48μH TYP. @ 10.17 ADC (1-2)

10 KHz 100mV


DC RESISTANCE: 0.0074 OHMS MAX. (1-2)  
0.0074 OHMS MAX. (4-3)

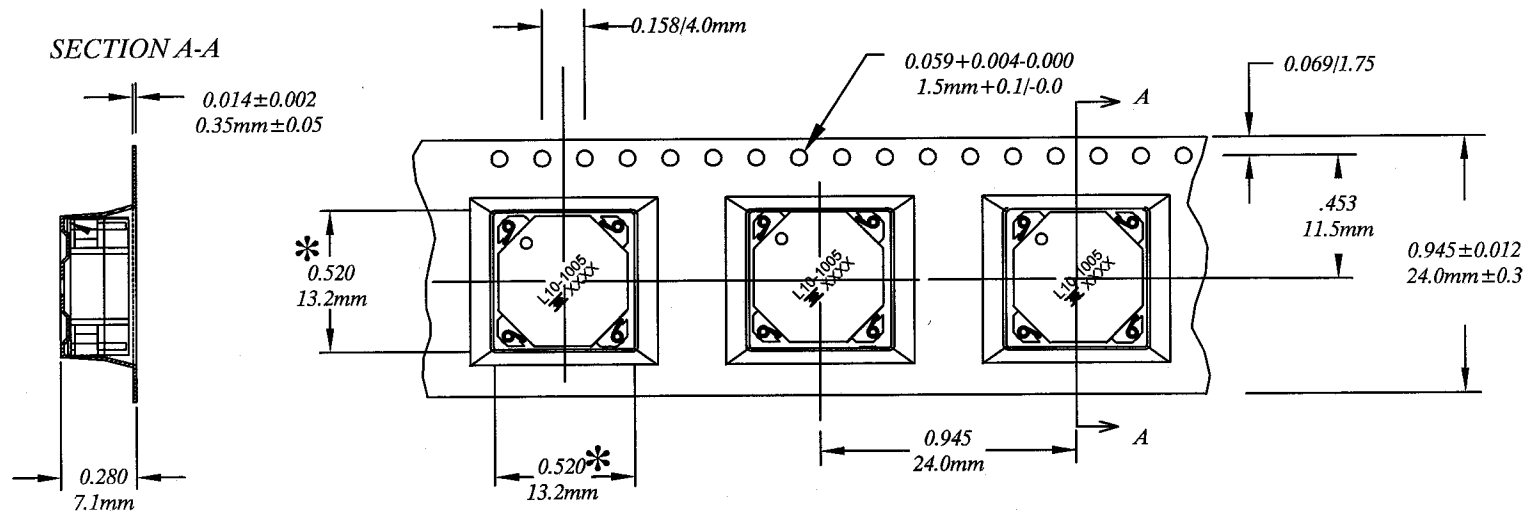
IR: 1K MEGOHMS MIN. @ 100 VDC (1-4)




COPLANARITY 0.004"

RoHS Compliant

				DESIGNED PER: <b>BH CATALOG</b>	 (R) BH Electronics, Inc. Burnsville & Marshall, MN © 1998 BH Electronics
				CUSTOM NON-PROPRIETARY X	
				DRAWN Kathy Loftus	TITLE: <b>QTR PAK™</b> (Switching Regulator)
				ENGR. J. DECRAMER	
				UNLESS OTHERWISE SPECIFIED: DIMENSIONS IN INCHES, TOLERANCES NON-CUMULATIVE. .XX±.01 .XXX±.005	PART NO. <b>L10-1005</b>
A	5-24-05	CUSTOMER PRINT	<i>[Signature]</i>	PAGE 1 OF 2	
ISSUE	DATE	REVISION	BY		



CARRIER TAPE 811-0137

				DESIGNED PER:	 (R) BH Electronics, Inc. Burnsville & Marshall, MN (C) 1998 BH Electronics
				<b>BH CATALOG</b> <input type="checkbox"/> CUSTOM <input checked="" type="checkbox"/> NON-PROPRIETARY	
				DRAWN Kathy Loftus	TITLE: <b>QTR PAK™</b> (Switching Regulator)
				ENGR. J. DECRAMER	
				UNLESS OTHERWISE SPECIFIED: DIMENSIONS IN INCHES, TOLERANCES NON-CUMULATIVE. .XX±.01 .XXX±.005	PART NO. <b>L10-1005</b>
A	5-24-05	CUSTOMER PRINT			
ISSUE	DATE	REVISION	BY	PAGE 2 OF 2	