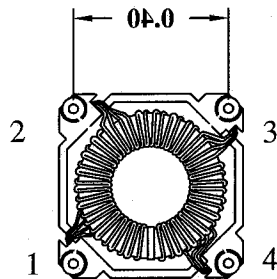
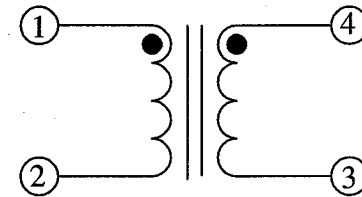
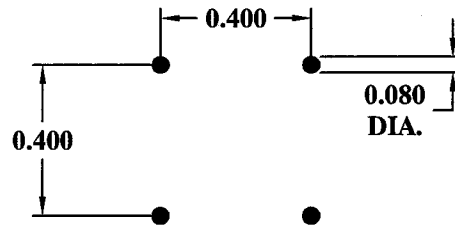
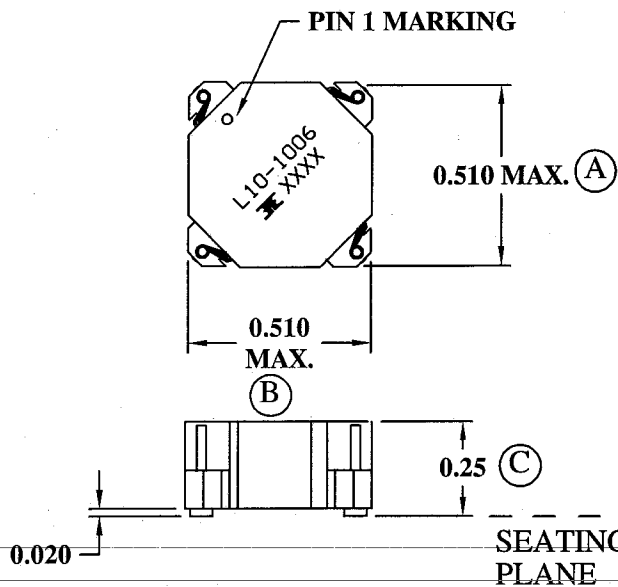


MECHANICAL

RECOMMENDED PC BOARD LAYOUT


SCHEMATIC

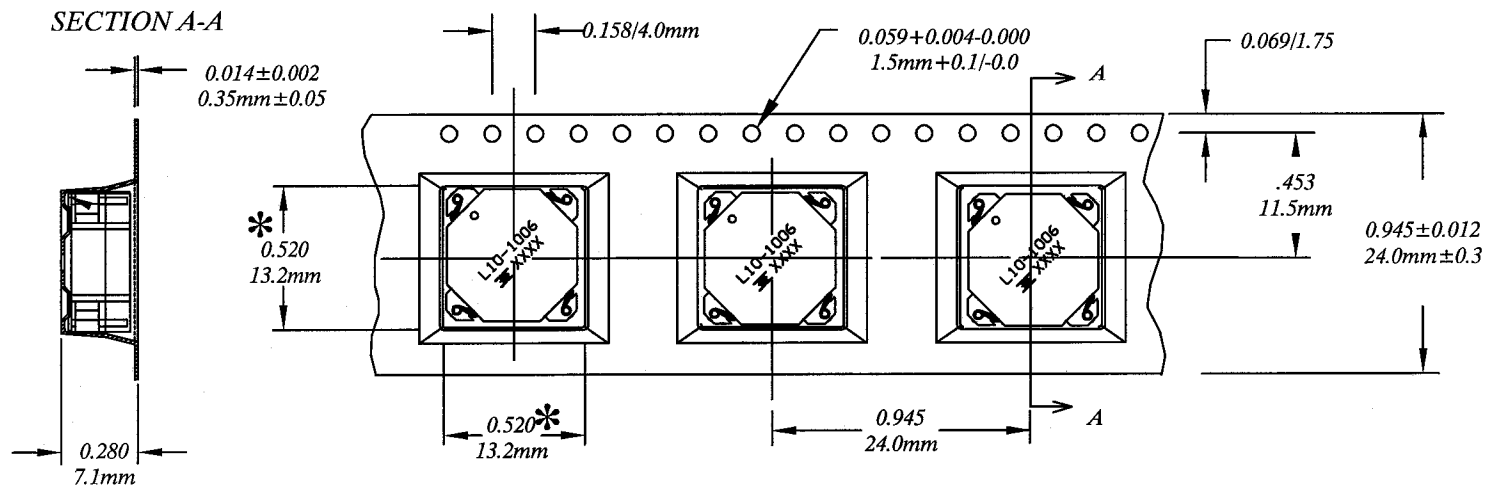


ELECTRICAL SPECIFICATIONS


OPEN CIRCUIT INDUCTANCE: 2.41 $\mu$ H $\pm$ 20% @ 0 ADC 10 KHz 100mV  
 1.93 $\mu$ H TYP. @ 8.90 ADC 10 KHz 100mV  
 DC RESISTANCE: 0.0085 OHMS NOM. (1-2) (4-3)  
 IR: 1K MEGOHMS MIN. @ 100 VDC (1-4)

RoHS Compliant

				DESIGN PER:	 BH ELECTRONICS, INC. BURNSVILLE & MARSHALL, MN © 1998 BH Electronics
				CATALOG	
				<input type="checkbox"/> CUSTOM <input type="checkbox"/> NON-PROPRIETARY <input checked="" type="checkbox"/> X	
				DRAWN: K. LOFTUS	
				ENGR: J. DECRAMER	
				UNLESS OTHERWISE SPECIFIED: DIMENSIONS IN INCHES, TOLERANCES NON-CUMULATIVE .XX $\pm$ .01 .XXX $\pm$ .005	TITLE: QTR PAK™ (Inductor, Switching Regulator)
A	8-2-05	CUSTOMER PRINT			PART NO. L10-1006
ISSUE	DATE	REVISION	BY	PAGE 1 OF 2	



CARRIER TAPE 811-0137

				DESIGNED PER:	 BH Electronics, Inc. Burnsville & Marshall, MN © 1998 BH Electronics
				<b>BH CATALOG</b> <input type="checkbox"/> CUSTOM <input checked="" type="checkbox"/> NON-PROPRIETARY	
				DRAWN Kathy Loftus	
				ENGR. J. DECRAMER	
				UNLESS OTHERWISE SPECIFIED: DIMENSIONS IN INCHES, TOLERANCES .XX±.01 .XXX±.005	TITLE: <b>QTR PAK™</b> (Switching Regulator)
A	8-1-05	CUSTOMER PRINT			PART NO. <b>L10-1006</b>
ISSUE	DATE	REVISION	BY	PAGE 2 OF 2	