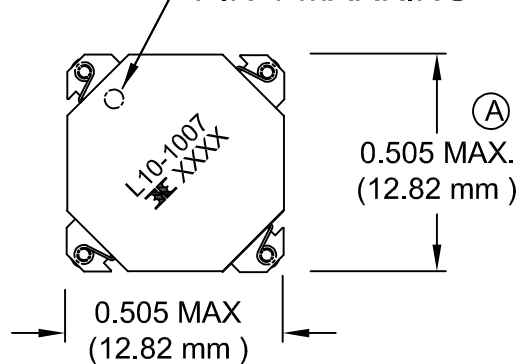
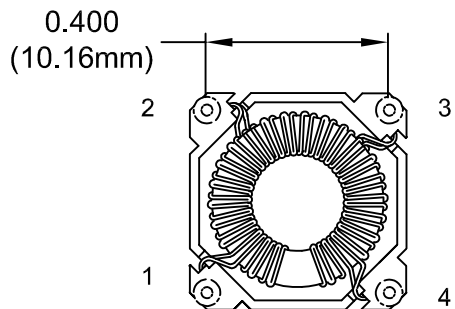
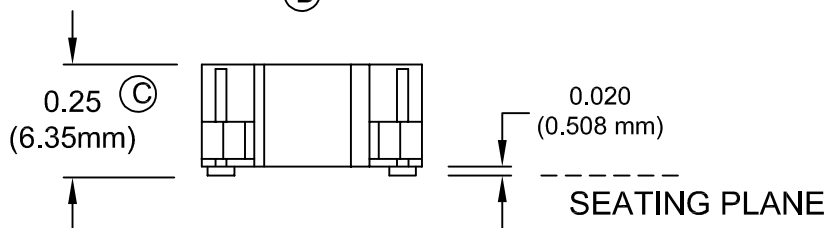


MECHANICAL

PIN 1 MARKING

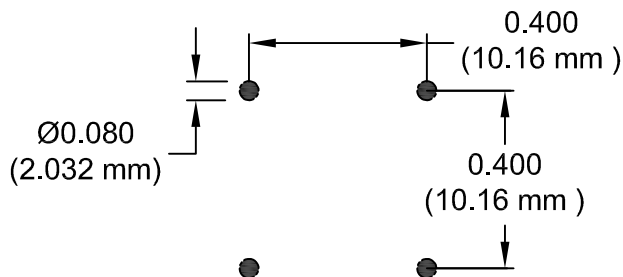


(B)

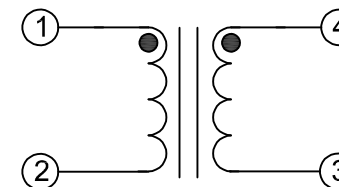


△ COPLANARITY 0.004"

RECOMMENDED PC BOARD LAYOUT



SCHEMATIC



ELECTRICAL SPECIFICATIONS

URNS RATIO: 1:1

OPEN CIRCUIT INDUCTANCE: 2.44-3.66µH @ 0 ADC (1-2) (3-4)

10 KHz 100mV

OPEN CIRCUIT INDUCTANCE: 2.44µH TYP. @ 7.91 ADC (1, 4 - 2, 3)

10 KHz 100mV

DC RESISTANCE: 0.0120 OHMS NOM. (1-2) (3-4)

IR: 1K MEGOHMS MIN. @ 100 VDC (1-4)


PRIMARY LEAKAGE INDUCTANCE: 66nH NOM. (1-2 SH 3,4)

120KHz 50mV

RoHS Compliant

ISSUE	DATE	REVISION	BY
C	11-16-17	ADDING/ CHANGING CARRIER TAPE	JDC
B	7-18-06	CHANGE TO MECHANICAL VIEW	JDC
A	8-23-05	CUSTOMER PRINT	JDC

DESIGN PER:	BH CATALOG
<input type="checkbox"/> CUSTOM	<input checked="" type="checkbox"/> NON-PROPRIETARY
DRAWN:	KALANI SA
ENGR:	J. DECRAMER
UNLESS OTHERWISE SPECIFIED: DIMENSIONS IN INCHES, TOLERANCES NON-CUMULATIVE .XX±.01 .XXX±.005	
PAGE 1 OF 2	



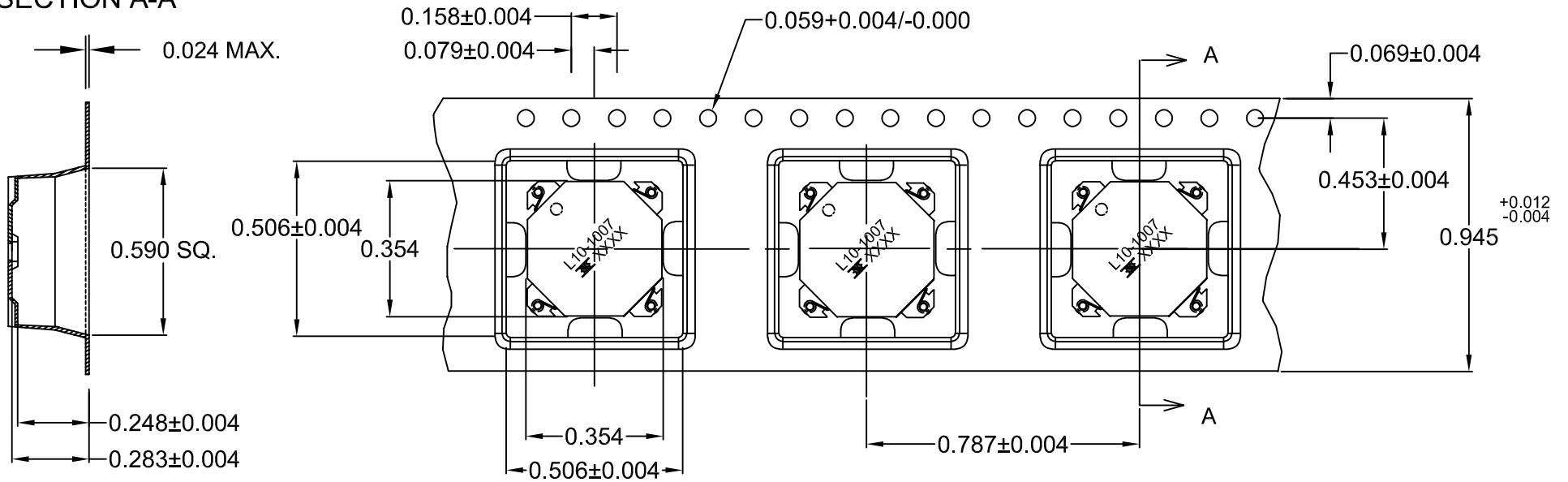
® BH ELECTRONICS, INC.
BURNSVILLE & MARSHALL, MN

© 1998 BH Electronics


TITLE: **QTR PAK™**
(Switching Regulator)

PART NO. **L10-1007**

SECTION A-A



CARRIER TAPE 811-0261

				DESIGN PER:	BH CATALOG	 BH ELECTRONICS, INC. BURNSVILLE & MARSHALL, MN © 1998 BH Electronics
				<input type="checkbox"/> CUSTOM <input checked="" type="checkbox"/> NON-PROPRIETARY		
				DRAWN:	K. LOFTUS	TITLE: QTR PAK™ (Switching Regulator) PART NO. L10-1007
				ENGR:	J. DECRAMER	
				UNLESS OTHERWISE SPECIFIED: DIMENSIONS IN INCHES, TOLERANCES NON-CUMULATIVE .XX±.01 .XXX±.005		
C	11-16-17	ADDING/ CHANGING CARRIER TAPE	<i>JDC</i>	PAGE 2 OF 2		
B	7-18-06	CHANGE TO MECHANICAL VIEW	JDC			
A	8-23-05	CUSTOMER PRINT	JDC			
ISSUE	DATE	REVISION	BY			