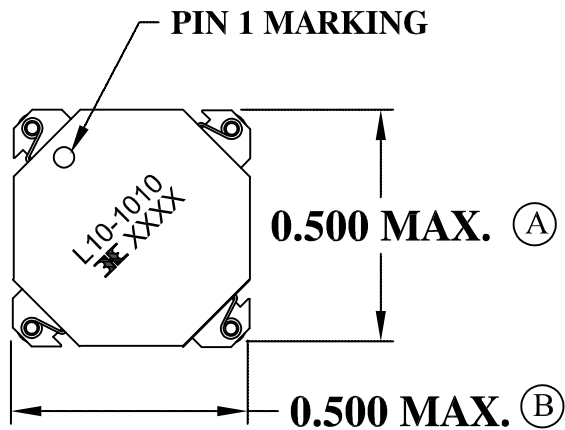
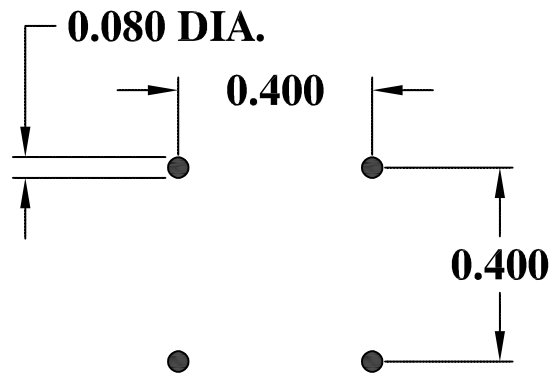


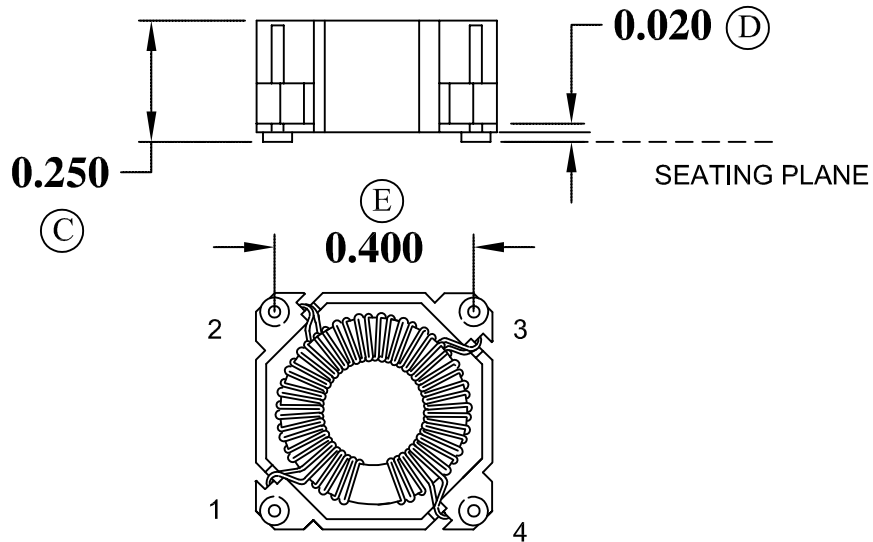
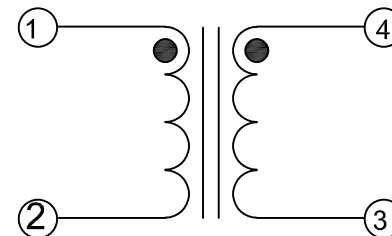
MECHANICAL



RECOMMENDED PC BOARD LAYOUT



SCHEMATIC



ELECTRICAL SPECIFICATIONS

TURNS RATIO: 1:1

OPEN CIRCUIT INDUTANCE: 5.43uH±20% @ 0 ADC (1-2)

4.34uH MIN. @ 5.94 ADC 10 KHz 100mV


DC RESISTANCE: (1-2) 0.0202 OHMS NOM.

(3-4) 0.0202 OHMS NOM.

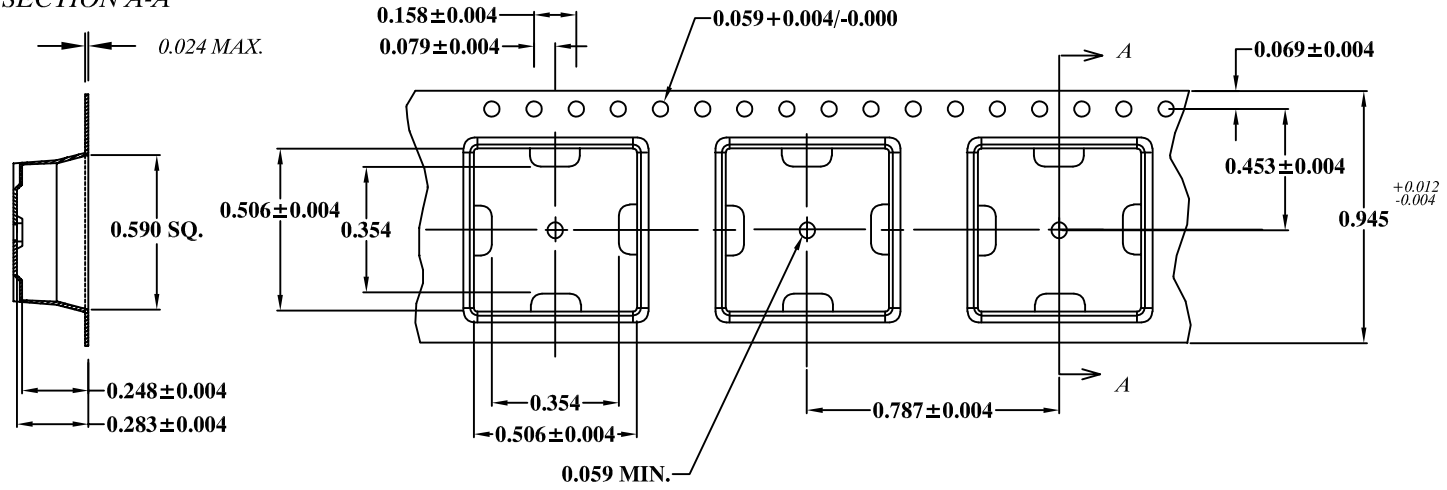
IR: 100 VDC 1K MEGOHMS MIN. (1-4)

RoHS Compliant


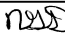
COPLANARITY 0.004"

				DESIGNED PER:	 (R) BH Electronics, Inc. Burnsville & Marshall, MN (C) 1998 BH Electronics
				BH CATALOG <input type="checkbox"/> CUSTOM <input checked="" type="checkbox"/> NON-PROPRIETARY	
				DRAWN Kathy Loftus	TITLE: QTR PAK™ (Inductor, Switching Regulator)
				ENGR. J. DECRAMER	
C	11-10-17	UPDATE TAPE AND REEL	<i>[Signature]</i>	UNLESS OTHERWISE SPECIFIED: DIMENSIONS IN INCHES, TOLERANCES NON-CUMULATIVE. .XX±.01 .XXX±.005 PAGE 1 OF 2	PART NO. L10-1010
B	7-23-07	ECR #7414 NEW FORMAT	JDC		
A	8-2-05	CUSTOMER PRINT	JDC		
ISSUE	DATE	REVISION	BY		

SECTION A-A



CARRIER TAPE 811-0261

				DESIGNED PER:	 (R) BH Electronics, Inc. Burnsville & Marshall, MN (C) 1998 BH Electronics
				<input type="checkbox"/> CUSTOM <input checked="" type="checkbox"/> NON-PROPRIETARY	
				DRAWN Kathy Loftus	TITLE: QTR PAK™ (Switching Regulator)
				ENGR. J. DECRAMER	
C	11-10-17	UPDATE TAPE AND REEL		UNLESS OTHERWISE SPECIFIED: DIMENSIONS IN INCHES, TOLERANCES NON-CUMULATIVE. .XX±.01 .XXX±.005	PART NO. L10-1010
B	7-23-07	ECR #7414 NEW FORMAT	JDC		
A	8-1-05	CUSTOMER PRINT	JDC		
ISSUE	DATE	REVISION	BY	PAGE 2 OF 2	