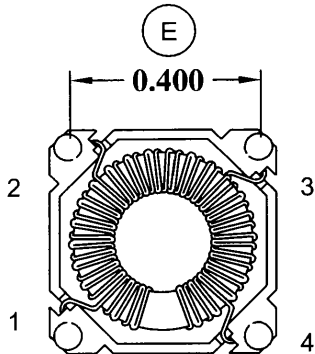
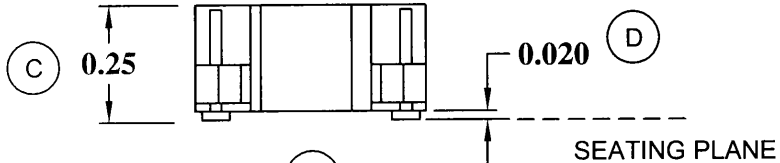
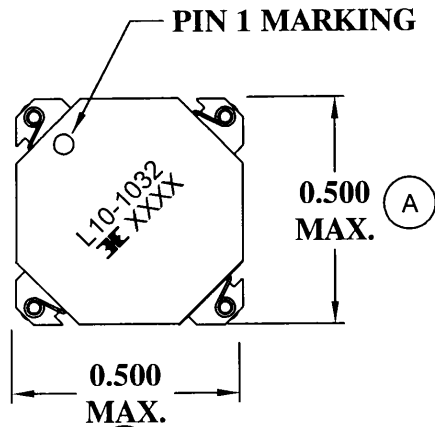
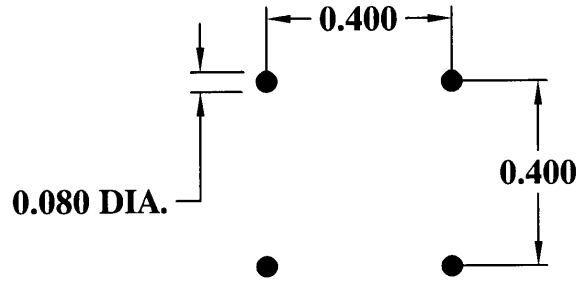


MECHANICAL

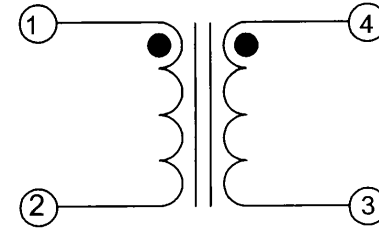


COPLANARITY 0.004"

RECOMMENDED PC BOARD LAYOUT



SCHEMATIC



ELECTRICAL SPECIFICATIONS

TURNS RATIO: 1:1

OPEN CIRCUIT INDUCTANCE: 69.49 - 106.86μH (1-2)

68.49uH TYP. @ 1.48 ADC (1, 4 - 2, 3)


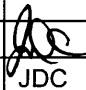
10 KHz 100mV

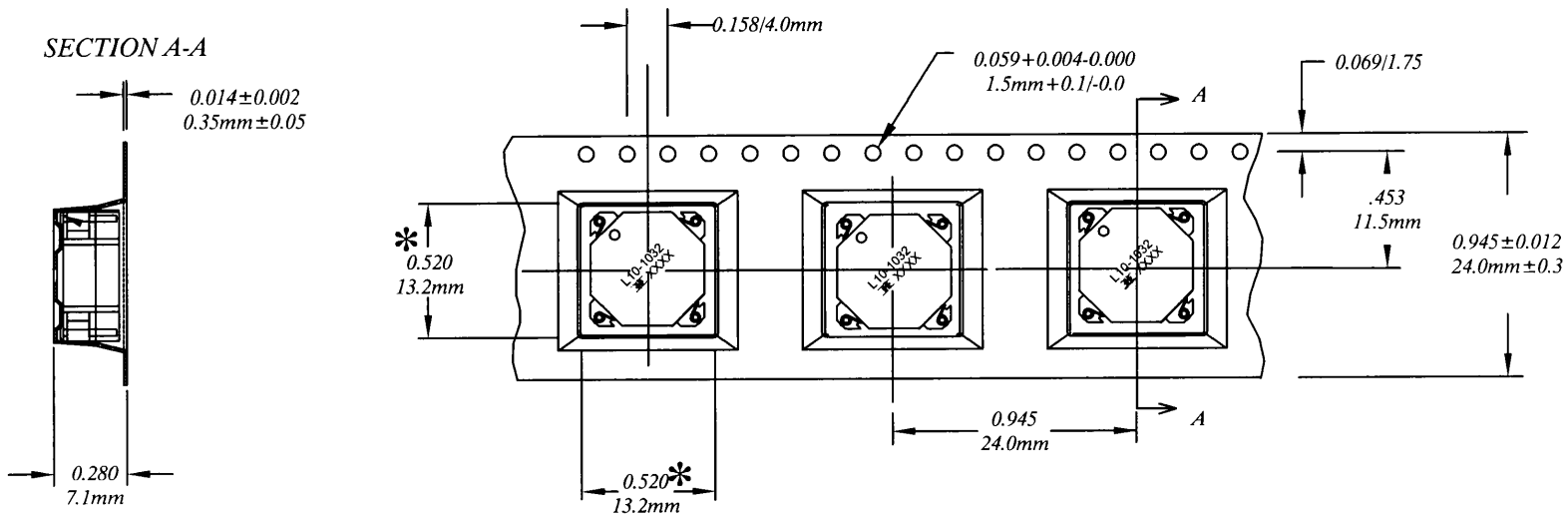
DC RESISTANCE: (1-2) 0.4049 OHMS NOM.

(4-3) 0.4049 OHMS NOM.


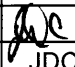
IR: 100 VDC 1K MEGOHMS MIN. (1-4)

RoHS Compliant

				DESIGNED PER:	 (R) BH Electronics, Inc. Burnsville & Marshall, MN
				BH CATALOG	
				DRAWN Kathy Loftus	(C) 1998 BH Electronics
				ENGR. J. DECRAMER	TITLE: QTR PAK TM (Switching Regulator)
B	3-15-07	ECR #7283 REMOVE GAP	 JDC	UNLESS OTHERWISE SPECIFIED: DIMENSIONS IN INCHES, TOLERANCES NON-CUMULATIVE. .XX±.01 .XXX±.005	PART NO. L10-1032
A	6-15-05	CUSTOMER PRINT			
ISSUE	DATE	REVISION	BY	PAGE 1 OF 2	



CARRIER TAPE 811-0137

				DESIGNED PER:	 (R) BH Electronics, Inc. Burnsville & Marshall, MN
				BH CATALOG	
				DRAWN Kathy Loftus	(C) 1998 BH Electronics
				ENGR. J. DECRAMER	TITLE: QTR PAK™ (Switching Regulator)
B	3-15-07	ECR #7283 REMOVE GAP		UNLESS OTHERWISE SPECIFIED: DIMENSIONS IN INCHES, TOLERANCES NON-CUMULATIVE. .XX±.01 .XXX±.005	PART NO. L10-1032
A	6-15-05	CUSTOMER PRINT	JDC		
ISSUE	DATE	REVISION	BY		