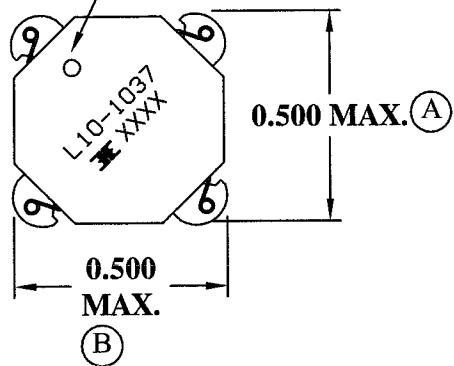
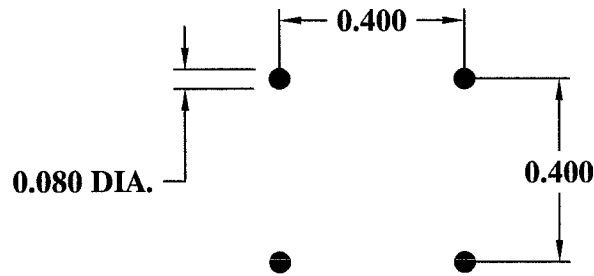


MECHANICAL

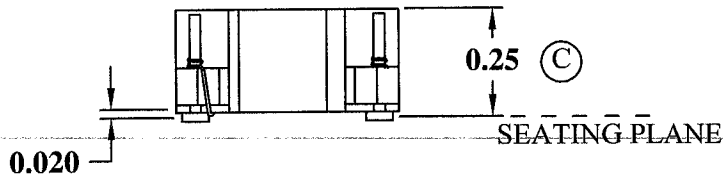
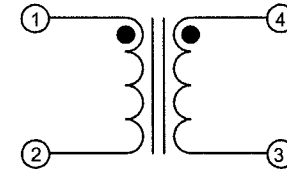
PIN 1 MARKING



RECOMMENDED PC BOARD LAYOUT



SCHEMATIC



ELECTRICAL SPECIFICATIONS

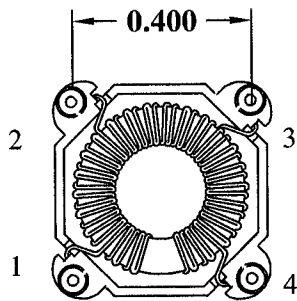
URNS RATIO: 1:1

OPEN CIRCUIT INDUCTANCE: 101.46μH-152.19μH @ 0 ADC (1, 4 - 2, 3)  
10 KHz 100mV

DC BIAS: 101.46uH TYP. @ 1.23 ADC  
(1, 4 - 2, 3) 10 KHz 100mV


DC RESISTANCE: (1-2) 0.6213 OHMS NOM.  
(4-3) 0.6213 OHMS NOM.

IR: 100 VDC (1-4) 1K MEGOHMS MIN.

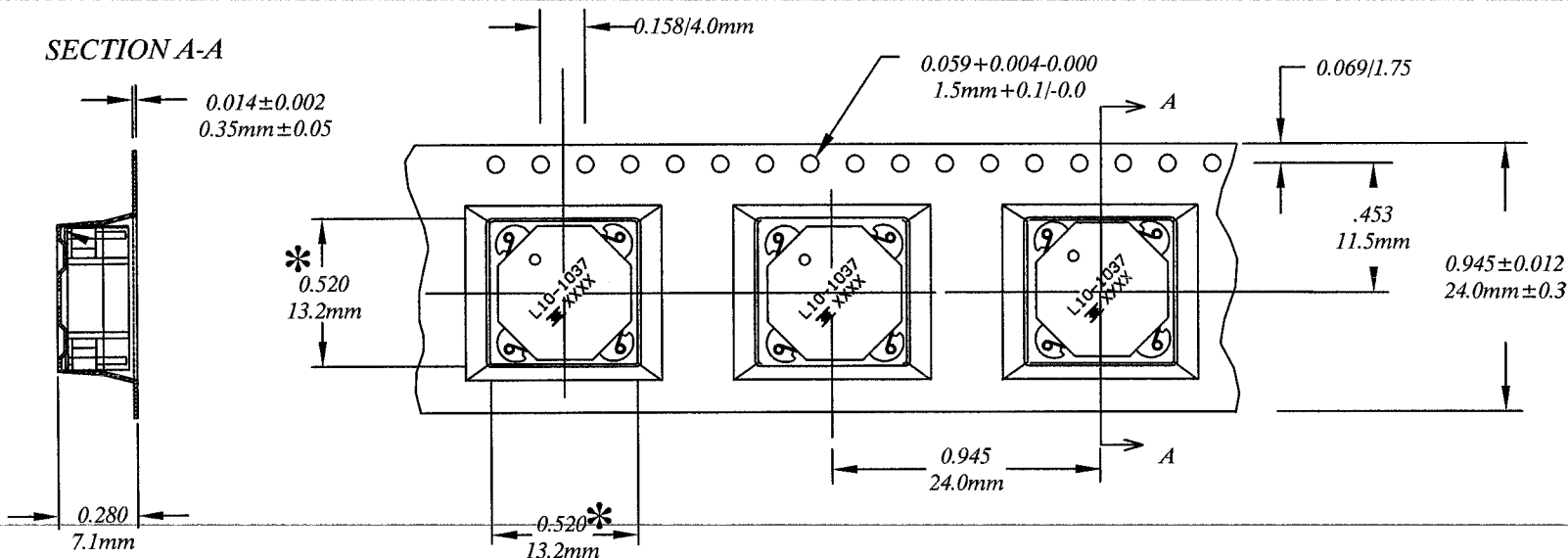


△ COPLANARITY 0.004" TM0070


RoHS Compliant

				DESIGNED PER: <b>BH CATALOG</b>	 BH Electronics, Inc. Burnsville & Marshall, MN © 1998 BH Electronics
				<input type="checkbox"/> CUSTOM <input checked="" type="checkbox"/> NON-PROPRIETARY	
				DRAWN Kathy Loftus	TITLE: <b>QTR PAK™</b> (Switching Regulator)
				ENGR. J. DECRAMER	
B	2-19-07	ECR #7244 UPDATE FORMAT	<i>JDC</i>	UNLESS OTHERWISE SPECIFIED: DIMENSIONS IN INCHES, TOLERANCES NON-CUMULATIVE. .XX±.01 .XXX±.005 PAGE 1 OF 2	PART NO. <b>L10-1037</b>
A	6-16-05	CUSTOMER PRINT	JDC		
ISSUE	DATE	REVISION	BY		

SECTION A-A



CARRIER TAPE 811-0137

				DESIGNED PER: <b>BH CATALOG</b>	 (R) BH Electronics, Inc. Burnsville & Marshall, MN © 1998 BH Electronics
				<input type="checkbox"/> CUSTOM <input checked="" type="checkbox"/> NON-PROPRIETARY	
				DRAWN Kathy Loftus	TITLE: <b>QTR PAK™</b> (Switching Regulator)
				ENGR. J. DECRAMER	
B	2-19-07	ECR #7244 UPDATE FORMAT		UNLESS OTHERWISE SPECIFIED: DIMENSIONS IN INCHES, TOLERANCES NON-CUMULATIVE. .XX±.01 .XXX±.005	PART NO. <b>L10-1037</b>
A	6-16-05	CUSTOMER PRINT	JDC		
ISSUE	DATE	REVISION	BY		
				PAGE 2 OF 2	