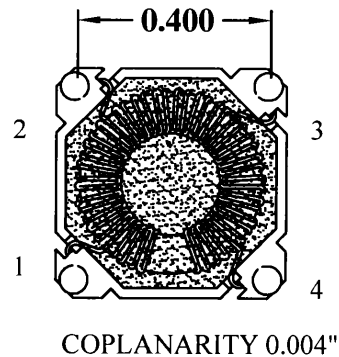
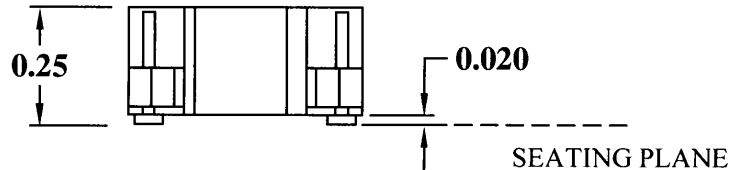
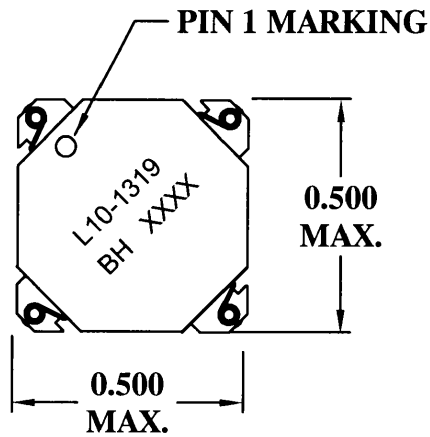
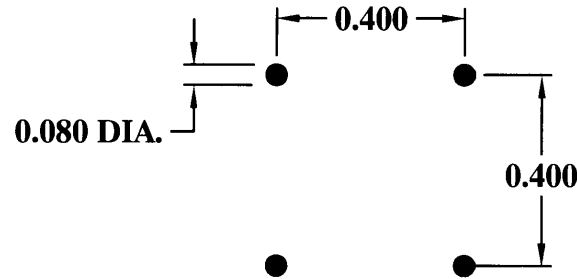


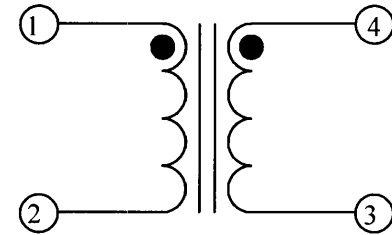
MECHANICAL



RECOMMENDED PC BOARD LAYOUT



SCHEMATIC



ELECTRICAL SPECIFICATIONS

URNS RATIO: 1:1

OPEN CIRCUIT INDUCTANCE: 18.3 μ H @ 0 ADC 10 KHz 100mV (1-2)



DC BIAS: 14.68.3uH TYP. @ 3.20 ADC 10 KHz 100mV (1-2)

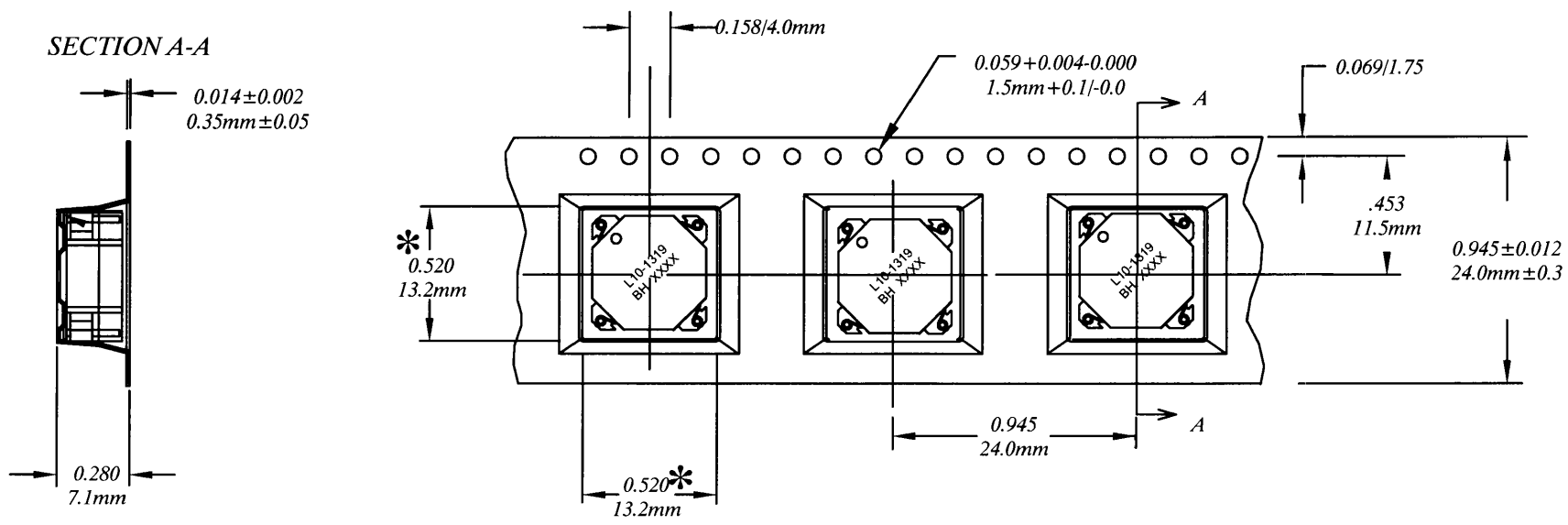
PRIMARY LEAKAGE INDUCTANCE: 0.22 μ H NOM.

DC RESISTANCE: 0.24 OHMS NOM. (1-2) (4-3)


HIGH VOLTAGE TEST: 3000 VAC / 1 SEC. WITH 5 SEC. RAMP-UP (1-4)

RoHS Compliant

				DESIGNED PER:	 (R) BH Electronics, Inc. Burnsville & Marshall, MN (C) 1998 BH Electronics
				BH CATALOG	
				CUSTOM NON-PROPRIETARY <input checked="" type="checkbox"/>	
				DRAWN Kathy Loftus	
				ENGR. J. DECRAMER	
				UNLESS OTHERWISE SPECIFIED: DIMENSIONS IN INCHES, TOLERANCES NON-CUMULATIVE. .XX \pm .01 .XXX \pm .005	TITLE: QTR PAK TM (Switching Regulator)
A	2-5-13	CUSTOMER PRINT			PART NO. L10-1319
ISSUE	DATE	REVISION	BY	PAGE 1 OF 2	



CARRIER TAPE 811-0137

				DESIGNED PER:	 (R) BH Electronics, Inc. Burnsville & Marshall, MN (C) 1998 BH Electronics
				BH CATALOG	
			<input type="checkbox"/> CUSTOM	<input checked="" type="checkbox"/> NON-PROPRIETARY	
				DRAWN Kathy Loftus	TITLE: QTR PAK™ (Switching Regulator)
				ENGR. J. DECRAMER	
				UNLESS OTHERWISE SPECIFIED: DIMENSIONS IN INCHES, TOLERANCES NON-CUMULATIVE.	
				.XX±.01 .XXX±.005	
A	2-5-13	CUSTOMER PRINT		PART NO. L10-1319	
ISSUE	DATE	REVISION	BY	PAGE 2 OF 2	