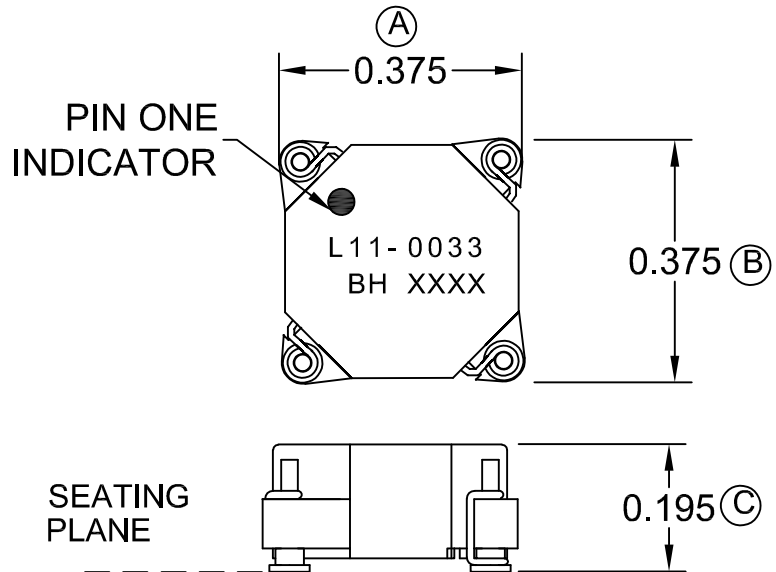
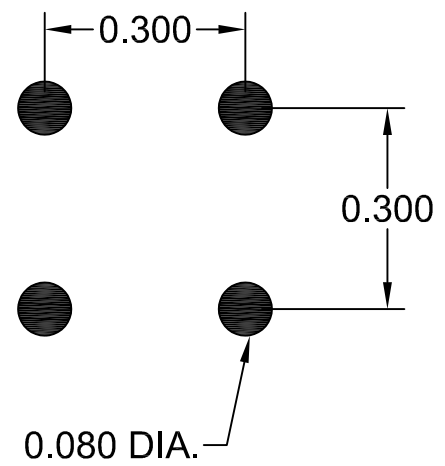


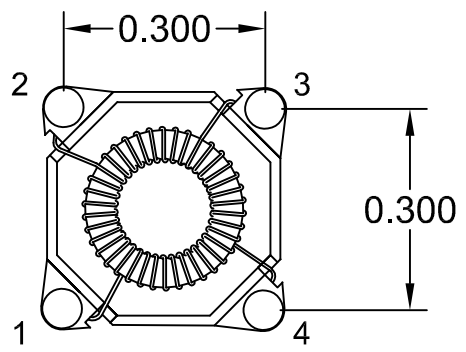
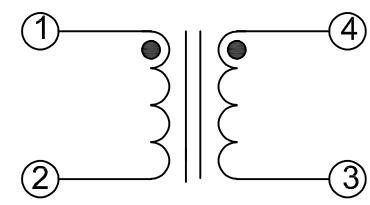
MECHANICAL



RECOMMENDED PC BOARD LAYOUT




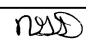
SCHEMATIC

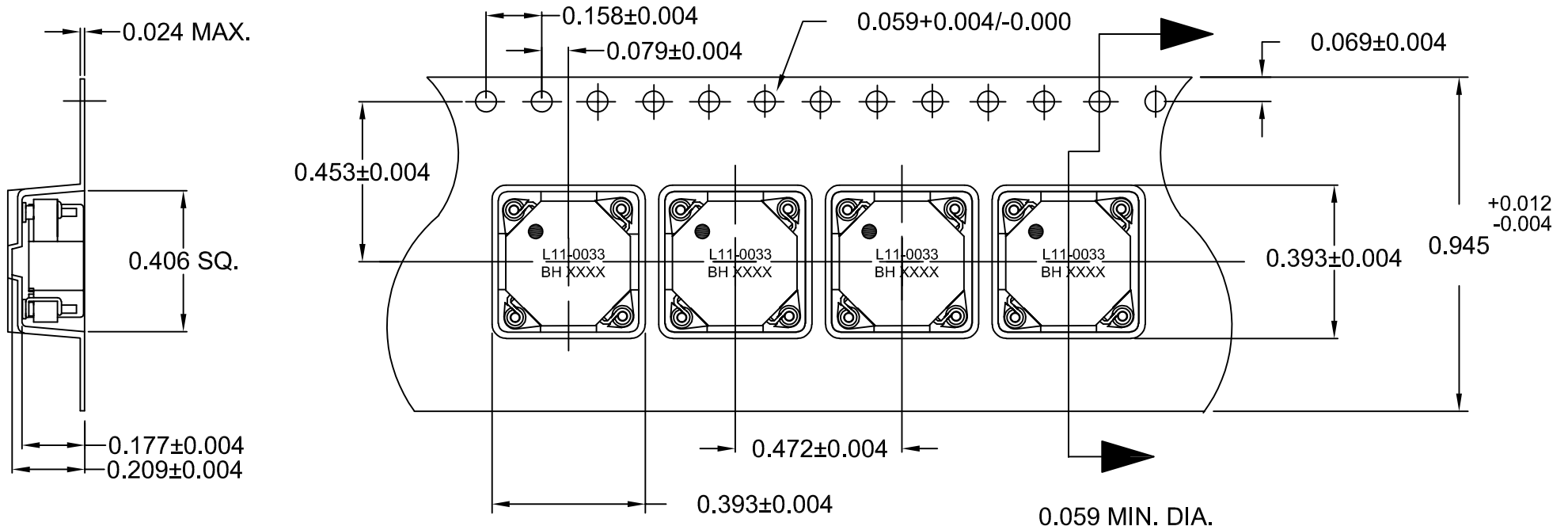


ELECTRICAL SPECIFICATIONS

TURNS RATIO: 1:1  
 OPEN CIRCUIT INDUCTANCE: 5.02uH±20% 10 KHz 100mV  
 DC BIAS: 3.76uH TYP. @ 2.7 ADC 10 KHz 100mV  
 DC RESISTANCE: 0.032 OHMS NOM. (1-2) (3-4)  
 IR: 1K MEGOHMS MIN. @ 100 VDC (1-4)

RoHS Compliant

				DESIGN PER:		 <b>BH ELECTRONICS, INC.</b> BURNSVILLE & MARSHALL, MN  © 1998 BH Electronics
				<input checked="" type="checkbox"/> CATALOG	<input type="checkbox"/> CUSTOM	
				<input type="checkbox"/> CUSTOM	<input type="checkbox"/> NON-PROPRIETARY	
				DRAWN: K. LOFTUS	ENGR: J. DECRAMER	
B	7-13-18	ECR# 10808 UPDATE CARRIER TAPE		UNLESS OTHERWISE SPECIFIED: DIMENSIONS IN INCHES, TOLERANCES NON-CUMULATIVE .XX±.01 .XXX±.005 PAGE 1 OF 2		TITLE: <b>1/8 PKG BOOST CONVERTER</b>
A	6-24-05	CUSTOMER PRINT	JDC			PART NO. <b>L11-0033</b>
ISSUE	DATE	REVISION	BY			



811-0260

DESIGN PER:

CATALOG

CUSTOM

NON-PROPRIETARY

DRAWN: K. LOFTUS

ENGR: J. DECRAMER



BH ELECTRONICS, INC.  
BURNSVILLE & MARSHALL, MN

© 1998 BH Electronics

TITLE:

1/8 PKG BOOST CONVERTER

PART NO.

L11-0033

UNLESS OTHERWISE SPECIFIED:  
DIMENSIONS IN INCHES, TOLERANCES  
NON-CUMULATIVE  
.XX±.01 .XXX±.005

PAGE 2 OF 2

ISSUE	DATE	REVISION	BY
B	7-13-18	ECR# 10808 UPDATE CARRIER TAPE	<i>nys</i>
A	6-24-05	CUSTOMER PRINT	JDC