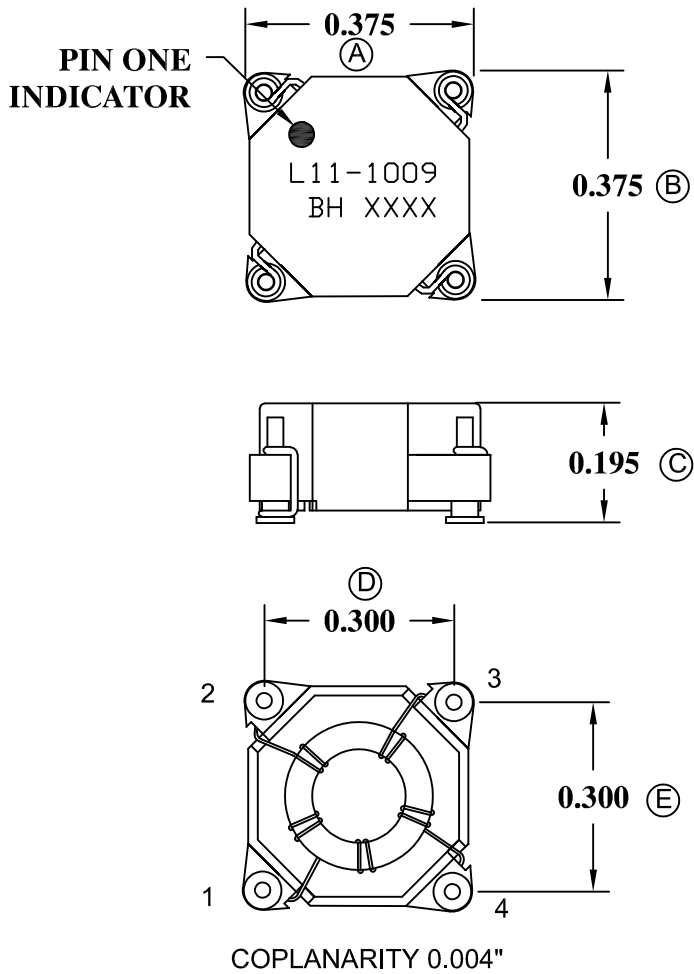
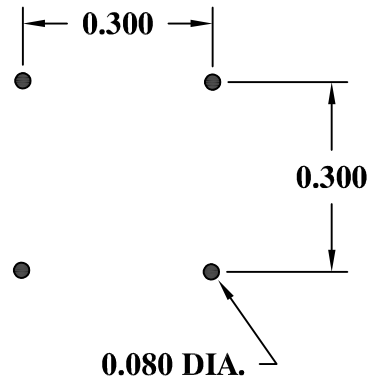


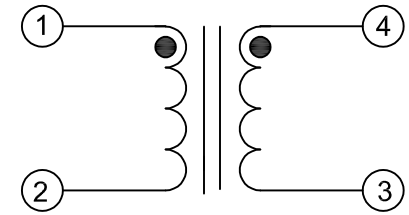
MECHANICAL



RECOMMENDED PC BOARD LAYOUT



SCHEMATIC



ELECTRICAL SPECIFICATIONS

URNS RATIO: 1:1


OPEN CIRCUIT INDUCTANCE: 1.55 μ H \pm 20% @ 0 ADC (1, 4 - 2, 3)
10 KHz 100mV

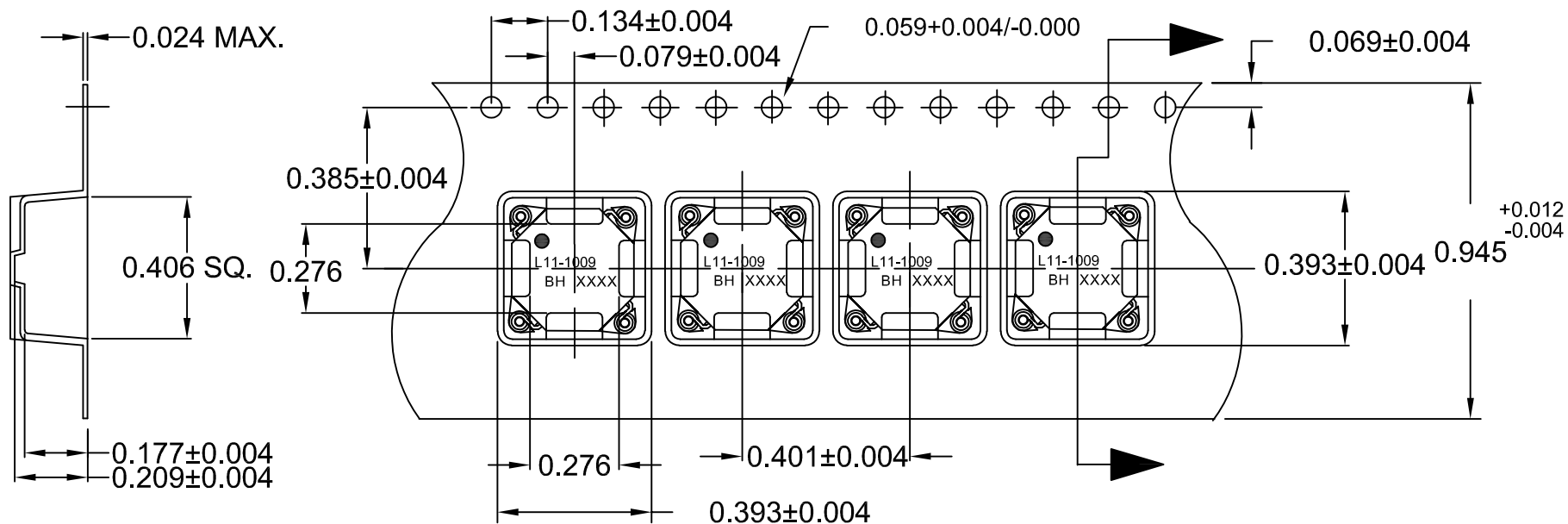
DC BIAS: 1.24 μ H TYP. @ 4.86 ADC (1, 4 - 2, 3)
10 KHz 100mV

DC RESISTANCE: 0.0112 OHMS NOM. (1-2) (4-3)

IR: 1K MEGOHMS MIN. @ 100 VDC (1-4)

RoHS Compliant

				DESIGN PER:	 BH ELECTRONICS, INC. BURNSVILLE & MARSHALL, MN © 1998 BH Electronics
				BH CATALOG	
				DRAWN: K. LOFTUS	
				ENGR: J. DECRAMER	
C	6-11-18	UPDATE TAPE & REEL PN	<i>JSD</i>	UNLESS OTHERWISE SPECIFIED: DIMENSIONS IN INCHES, TOLERANCES NON-CUMULATIVE .XX \pm .01 .XXX \pm .005	TITLE:
B	8-2-10	ECR #8658 REVISE LOC	JDC		TRANSFORMER
A	9-8-05	CUSTOMER PRINT	JDC		PART NO.
ISSUE	DATE	REVISION	BY	PAGE 1 OF 2	L11-1009



811-0260

ISSUE	DATE	REVISION	BY
C	6-11-18	UPDATE TAPE & REEL PN	<i>[Signature]</i>
B	8-2-10	ECR #8658 REVISE LOC	JDC
A	9-8-05	CUSTOMER PRINT	JDC


DESIGN PER:
BH CATALOG

DRAWN: K. LOFTUS

ENGR: J. DECRAMER

UNLESS OTHERWISE SPECIFIED:
 DIMENSIONS IN INCHES, TOLERANCES
 NON-CUMULATIVE
 .XX±.01 .XXX±.005

PAGE 2 OF 2



BH® BH ELECTRONICS, INC.
 BURNSVILLE & MARSHALL, MN

© 1998 BH Electronics

TITLE: **TRANSFORMER**

PART NO. **L11-1009**