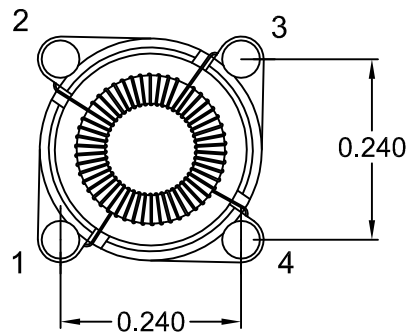
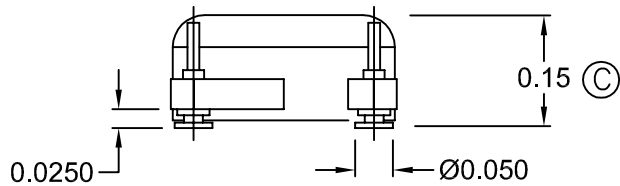
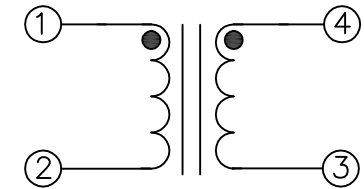
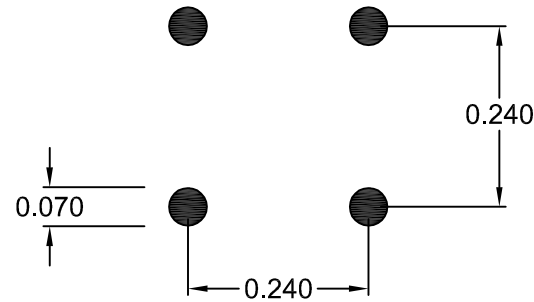
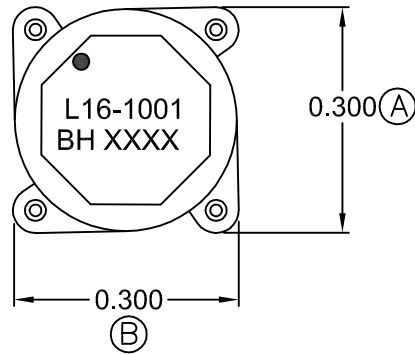


MECHANICAL

SUGGESTED PAD LAYOUT

SCHEMATIC



ELECTRICAL SPECIFICATIONS

URNS RATIO: 1:1

OPEN CIRCUIT INDUCTANCE: 1.17 $\mu$ H $\pm$ 20% @ 0 ADC (1, 4 - 2, 3)  
10 KHz 100mV

DC BIAS: 0.94 $\mu$ H TYP. @ 7.13 ADC (1, 4 - 2, 3)  
10 KHz 100mV

DC RESISTANCE: 0.011 OHMS MAX. (1, 4 - 2, 3)

IR: 1K MEGOHMS MIN. @ 100 VDC (1-4)

RoHS COMPLIANT

ISSUE	DATE	REVISION	BY
B	8-5-14	UPDATE MECHANICALS	JDC
A	10-19-07	CUSTOMER PRINT	JDC

DESIGN PER:	BH CATALOG
<input type="checkbox"/> CUSTOM	<input checked="" type="checkbox"/> NON-PROPRIETARY
DRAWN:	KALANI SA
ENGR:	J. DECRAMER
UNLESS OTHERWISE SPECIFIED: DIMENSIONS IN INCHES, TOLERANCES NON-CUMULATIVE .XX $\pm$ .01 .XXX $\pm$ .005	
PAGE 1 OF 1	

**BH** <sup>®</sup> BH ELECTRONICS, INC.  
BURNSVILLE & MARSHALL, MN

© 1998 BH Electronics

TITLE: **INDUCTOR**

PART NO. **L16-1001**