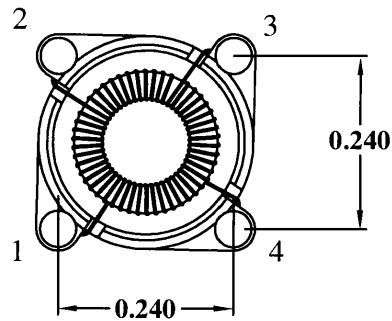
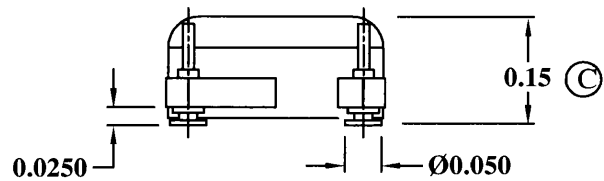
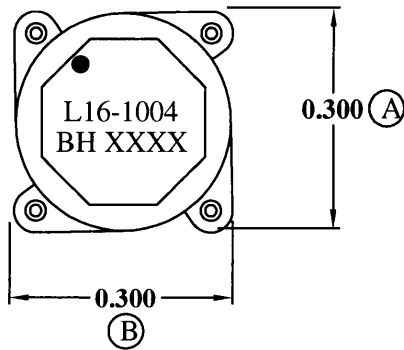
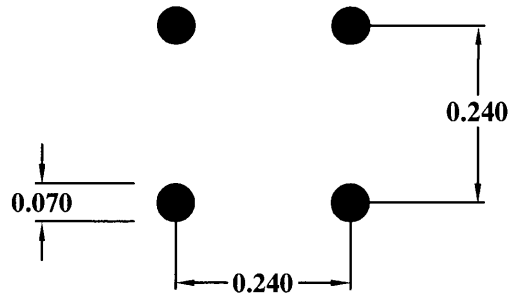


MECHANICAL

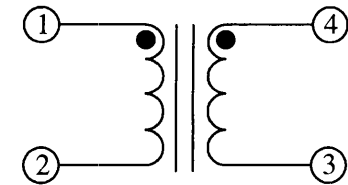


COPLANARITY 0.004 MAX.

SUGGESTED PAD LAYOUT



SCHEMATIC



ELECTRICAL SPECIFICATIONS

URNS RATIO: 1:1


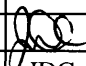
OPEN CIRCUIT INDUCTANCE: 2.09µH±20% @ 0 ADC (1, 4 - 2, 3)  
10 KHz 100mV

DC BIAS: 1.67µH TYP. @ 5.35 ADC (1, 4 - 2, 3)  
10 KHz 100mV

DC RESISTANCE: 0.024 OHMS MAX. (1, 4 - 2, 3)

IR: 1K MEGOHMS MIN. @ 100 VDC (1-4)

RoHS COMPLIANT

				DESIGN PER:	BH CATALOG	 BH ELECTRONICS, INC. BURNSVILLE & MARSHALL, MN © 1998 BH Electronics
				<input type="checkbox"/> CUSTOM	NON-PROPRIETARY <input checked="" type="checkbox"/>	
				DRAWN:	K. LOFTUS	
				ENGR:	J. DECRAMER	
B	10-21-13	PAD LAYOUT		UNLESS OTHERWISE SPECIFIED: DIMENSIONS IN INCHES, TOLERANCES NON-CUMULATIVE .XX±.01 .XXX±.005 PAGE 1 OF 1		TITLE:
A	10-19-07	CUSTOMER PRINT	JDC			INDUCTOR
ISSUE	DATE	REVISION	BY			PART NO.
						L16-1004