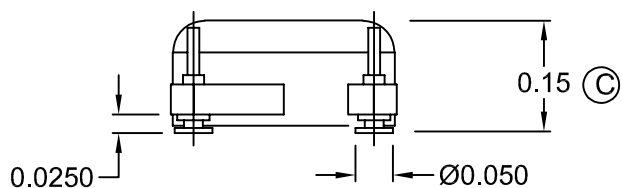
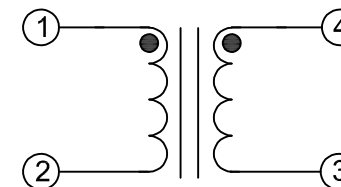
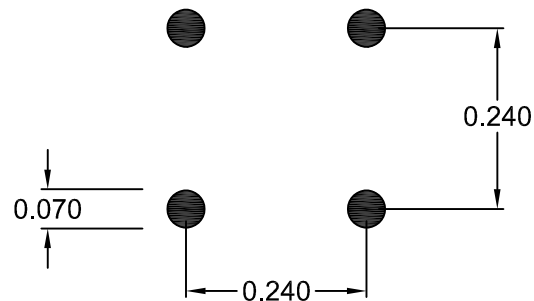
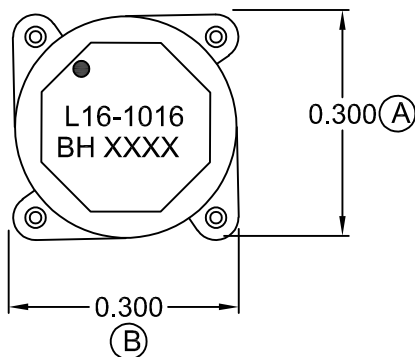


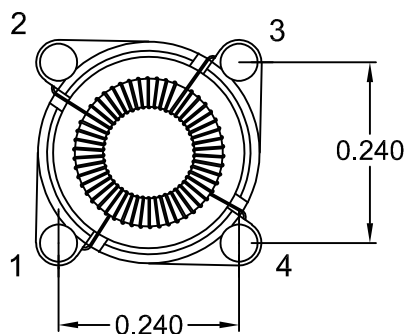
MECHANICAL

SUGGESTED PAD LAYOUT

SCHEMATIC



COPLANARITY 0.004 MAX.



ELECTRICAL SPECIFICATIONS

URNS RATIO: 1:1

OPEN CIRCUIT INDUCTANCE: 13.05µH±20% @ 0 ADC (1, 4 - 2, 3)
10 KHz 100mV

DC BIAS: 10.44µH TYP. @ 2.14 ADC (1, 4 - 2, 3)
10 KHz 100mV


DC RESISTANCE: 0.149 OHMS MAX. (1, 4 - 2, 3)

IR: 1K MEGOHMS MIN. @ 100 VDC (1-4)

RoHS COMPLIANT

ISSUE	DATE	REVISION	BY
C	12-28-17	UPDATE CARRIER TAPE TO 811-0329	<i>nss</i>
B	3-7-12	ADD COPLANARITY	JDC
A	10-19-07	CUSTOMER PRINT	JDC

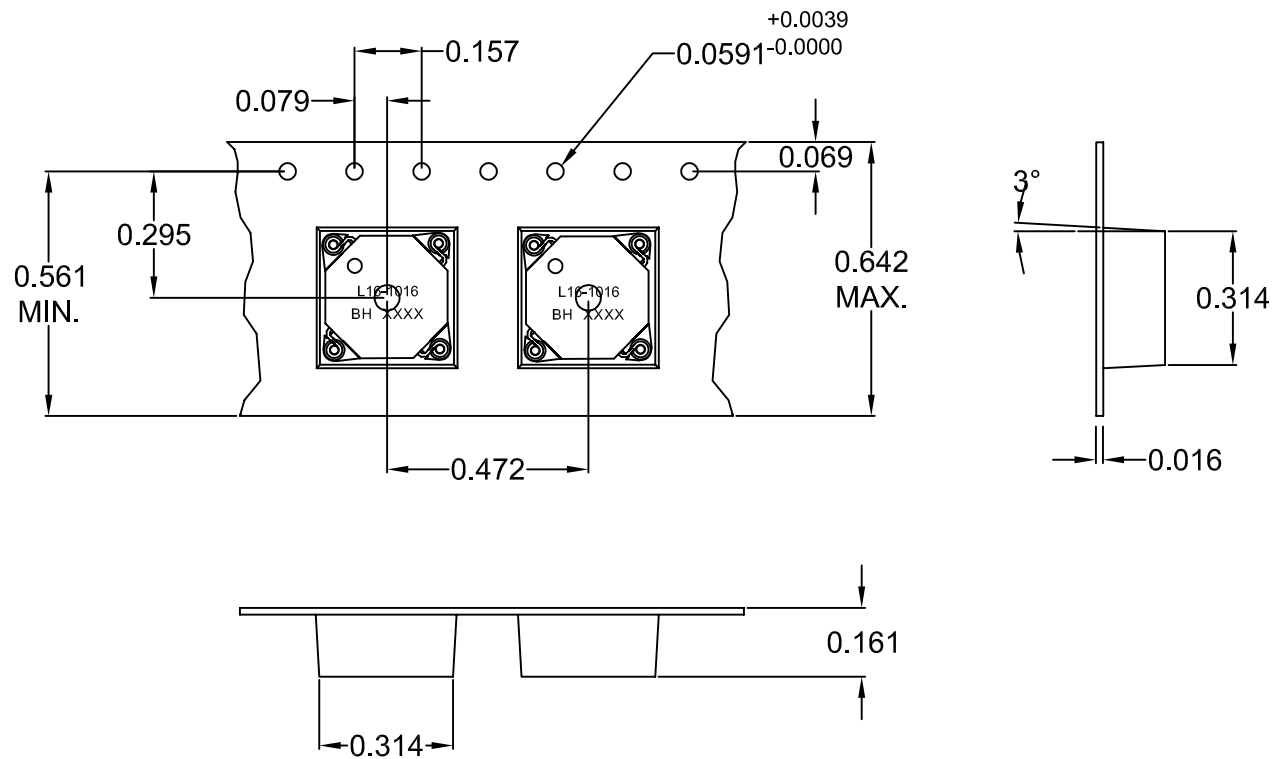
DESIGN PER:	BH CATALOG
<input type="checkbox"/> CUSTOM	<input checked="" type="checkbox"/> NON-PROPRIETARY
DRAWN:	K. LOFTUS
ENGR:	J. DECRAMER
UNLESS OTHERWISE SPECIFIED: DIMENSIONS IN INCHES, TOLERANCES NON-CUMULATIVE .XX±.01 .XXX±.005	
PAGE 1 OF 2	




BH ELECTRONICS, INC.
BURNSVILLE & MARSHALL, MN
© 1998 BH Electronics

TITLE: **INDUCTOR**

PART NO. **L16-1016**



CARRIER TAPE 811-0329

				DESIGN PER:	CATALOG	 BH ELECTRONICS, INC. BURNSVILLE & MARSHALL, MN © 1998 BH Electronics
				<input type="checkbox"/> CUSTOM	<input checked="" type="checkbox"/> NON-PROPRIETARY	
				DRAWN:	K. LOFTUS	
				ENGR:	J. DECRAMER	
C	12-28-17	UPDATE CARRIER TAPE TO 811-0329	<i>nss</i>	UNLESS OTHERWISE SPECIFIED: DIMENSIONS IN INCHES, TOLERANCES NON-CUMULATIVE .XX±.01 .XXX±.005 PAGE 2 OF 2		TITLE:
B	3-7-12	ADD COPLANARITY	JDC			INDUCTOR
A	3-4-05	CUSTOMER PRINT	JDC			PART NO.
ISSUE	DATE	REVISION	BY			L16-1016