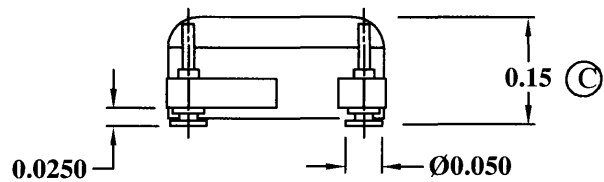
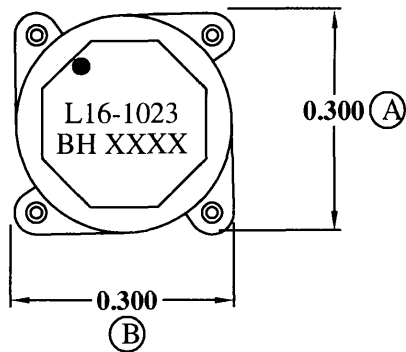
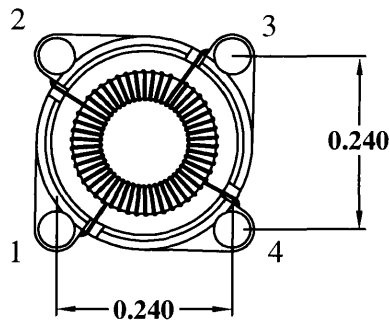


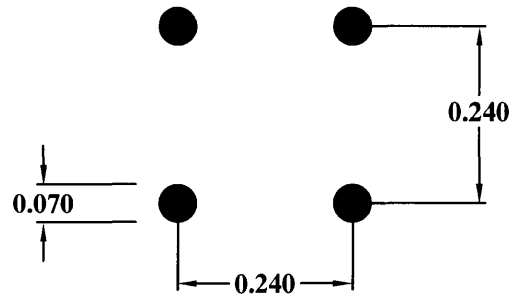
MECHANICAL



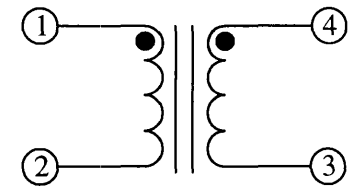
COPLANARITY 0.004 MAX.



SUGGESTED PAD LAYOUT



SCHEMATIC



ELECTRICAL SPECIFICATIONS

URNS RATIO: 1:1


OPEN CIRCUIT INDUCTANCE: 28.07 $\mu$ H $\pm$ 20% @ 0 ADC (1, 4 - 2, 3)  
10 KHz 100mV

DC BIAS: 22.46 $\mu$ H TYP. @ 1.46 ADC (1, 4 - 2, 3)  
10 KHz 100mV

DC RESISTANCE: 0.338 OHMS MAX. (1, 4 - 2, 3)

IR: 1K MEGOHMS MIN. @ 100 VDC (1-4)

RoHS COMPLIANT

				DESIGN PER:	BH CATALOG		 BH ELECTRONICS, INC. BURNSVILLE & MARSHALL, MN © 1998 BH Electronics
				<input type="checkbox"/> CUSTOM <input checked="" type="checkbox"/> NON-PROPRIETARY			
				DRAWN:	K. LOFTUS		TITLE:
				ENGR:	J. DECRAMER		
				UNLESS OTHERWISE SPECIFIED: DIMENSIONS IN INCHES, TOLERANCES NON-CUMULATIVE .XX $\pm$ .01 .XXX $\pm$ .005			PART NO.
C	10-21-13	PAD LAYOUT	<i>JDC</i>				
B	10-29-10	ADD RoHS	JDC	L16-1023			
A	10-19-07	CUSTOMER PRINT	JDC				
ISSUE	DATE	REVISION	BY	PAGE 1 OF 1			