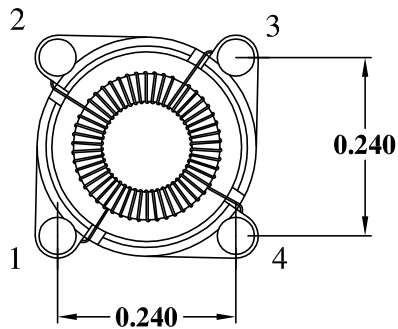
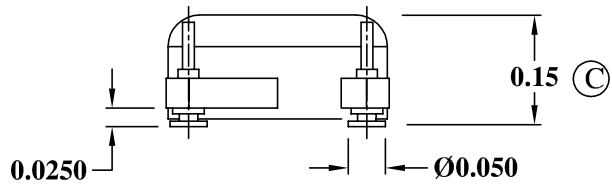
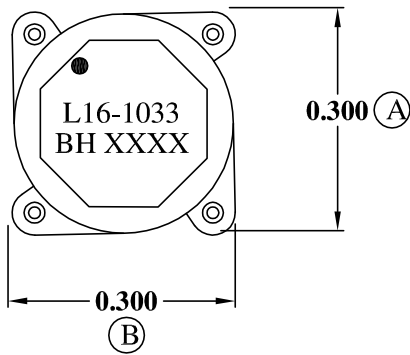
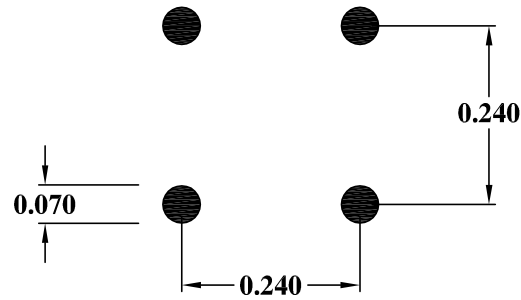


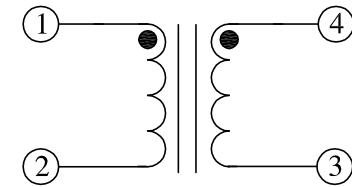
MECHANICAL



SUGGESTED PAD LAYOUT



SCHEMATIC



ELECTRICAL SPECIFICATIONS

URNS RATIO: 1:1


OPEN CIRCUIT INDUCTANCE: 59.39µH±20% @ 0 ADC (1, 4 - 2, 3)
10 KHz 100mV

DC BIAS: 47.51µH TYP. @ 1.00 ADC (1, 4 - 2, 3)
10 KHz 100mV

DC RESISTANCE: 0.623 OHMS MAX. (1, 4 - 2, 3)

IR: 1K MEGOHMS MIN. @ 100 VDC (1-4)

RoHS COMPLIANT

				DESIGN PER: BH CATALOG	 BH ELECTRONICS, INC. BURNSVILLE & MARSHALL, MN © 1998 BH Electronics
				<input type="checkbox"/> CUSTOM <input checked="" type="checkbox"/> NON-PROPRIETARY	
				DRAWN: K. LOFTUS	TITLE: INDUCTOR PART NO. L16-1033
				ENGR: J. DECRAMER	
				UNLESS OTHERWISE SPECIFIED: DIMENSIONS IN INCHES, TOLERANCES NON-CUMULATIVE .XX±.01 .XXX±.005 PAGE 1 OF 1	
B	2-6-12	REVISE DIMENSIONS	BM		
A	10-19-07	CUSTOMER PRINT	JDC		
ISSUE	DATE	REVISION	BY		