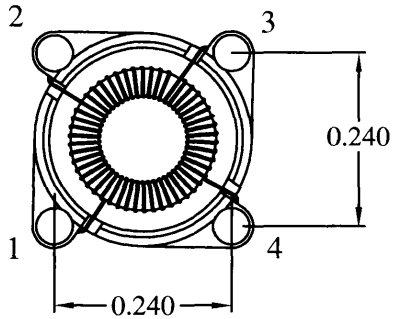
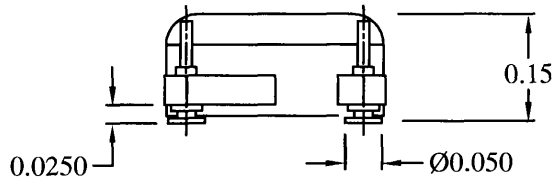
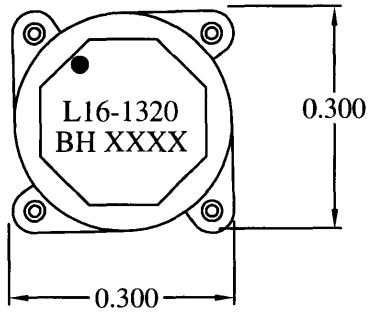
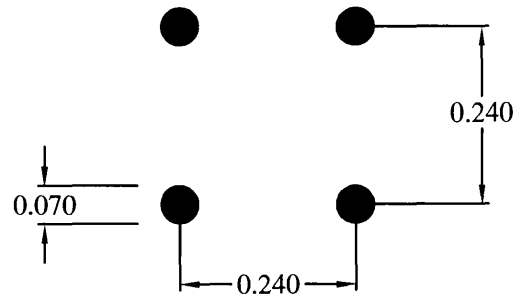


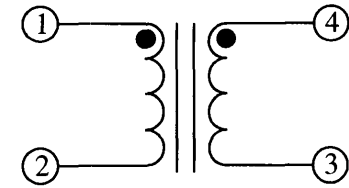
MECHANICAL



SUGGESTED PAD LAYOUT



SCHEMATIC



ELECTRICAL SPECIFICATIONS

URNS RATIO: 1:1

OPEN CIRCUIT INDUCTANCE: 16.75 - 25.13 μ H (1-2) (SH 1, 4) (SH 2, 3)
10 KHz 100mV

LEAKAGE INDUCTANCE: 0.50 μ H MAX 120KHZ, 50 mV

DC BIAS: 16.75 μ H TYP. @ 1.69 ADC (1-2) (SH 1, 4) (SH 2, 3)
10 KHz 100mV

DC RESISTANCE: 0.60 OHMS MAX. (1-2) (SH 1, 4) (SH 2, 3)

HIGH VOLTAGE TEST: 1500 VRMS (1-4)

DESIGN PER:

BH CATALOG

CUSTOM NON-PROPRIETARY

DRAWN: K. LOFTUS

ENGR: J. DECRAMER

UNLESS OTHERWISE SPECIFIED:
DIMENSIONS IN INCHES, TOLERANCES
NON-CUMULATIVE
.XX \pm .01 .XXX \pm .005

PAGE 1 OF 1



BH ELECTRONICS, INC.
BURNSVILLE & MARSHALL, MN

© 1998 BH Electronics

TITLE:

INDUCTOR

PART NO.

L16-1320

A	4-15-11	CUSTOMER PRINT (Q12857)	<i>[Signature]</i>
ISSUE	DATE	REVISION	BY